

Slimline™ 500



User's Manual / Manual de Usuario

Please visit our website for the latest information on this product.
Visite nuestro sitio web para obtener la información más reciente sobre este producto.



RoHS
compliant



INTRODUCTION

Thank you for purchasing a Wagan Tech® Slimline™ Power Inverter. With minimal care and proper treatment, it will provide years of reliable service.

This power inverter converts direct current (DC) to alternating household current (AC). This inverter operates from a DC power source only. The level of direct current allowed by this inverter is 12V DC.

In an industry where the actual wattage output varies so greatly, Wagan Tech is proud to introduce TrueRated Power™ technology. All our inverters feature TrueRated Power. That simply means power tested and rated at a period of 24 hours continuous usage under full load. Many competing products claim “continuous duty”, when they are often only 20 minutes of “continuous” duty at full output. We also build our inverters with High Peak Surge rating to support motorized appliance start up.

Read and understand this manual before installing and operating this inverter. Keep this manual for future use.

FEATURES

- Two LED indicators display the operating status of the inverter.
- Multiple AC outlets allow for more than one appliance to be powered at the same time.
- Mounting holes allow for safe stable installation.
- High Peak Power: Allows you to power appliances that require large initial start-up wattage.
- Low Battery Alarm: The inverter sounds an audible alarm then turns itself off if the battery voltage becomes too low.
- Auto Shutdown/Reset Protection: The inverter temporarily shuts itself down to protect itself from overheating.
- Overload/Short Circuit Protection: The inverter automatically turns itself off if the connected load is too large or if it shorts.



WARNINGS

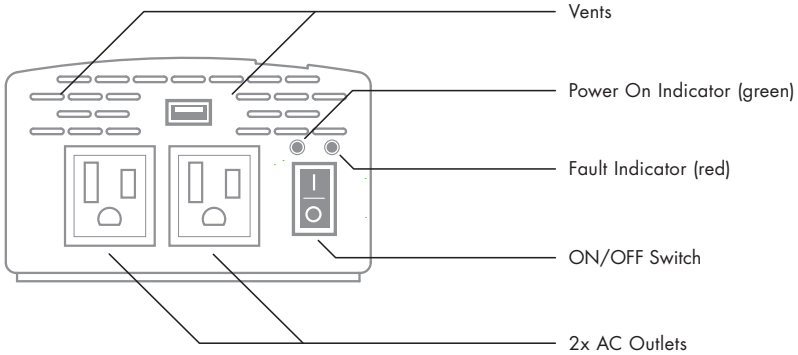
- Do not attempt to open the inverter enclosure. High voltage inside the unit is the same type of power as your electrical outlets at home.
- Do not operate the inverter in or around water. The voltage of the unit makes it an electrical shock hazard if operated in wet conditions. Do not let any plugged in appliance's cord get wet.
- Do not connect the AC inverter directly to another AC power source.
- Keep it away from children: The inverter produces power just like AC wall outlets at home and it should be treated seriously.

CAUTIONS

- Do not use the inverter in a positively grounded vehicle.
- Allow at least 2 inches of clearance around the inverter for air flow.
- If you operate the inverter in a moving vehicle, you need to secure the inverter to prevent it from shifting around while the vehicle is moving.
- If there is anything wrong with the inverter, disconnect all power.
- The following operations will damage and void the warranty of the inverter:
 - * Reversing polarity by connecting DC cables to incorrect terminals.
 - * Connecting the inverter to a power source greater than 15V DC

FRONT PANEL

All inverters described in this manual have an ON/OFF rocker switch, two LED indicators, and multiple AC outlets. Actual locations of these components vary by model. Multiple AC outlets enable multiple appliances to be operated at one time.



ON/OFF Switch – Controls operation of the inverter. The below indicators operate when the switch is ON.

Green LED – When lit, indicates the inverter is on and operating normally. AC is present at the outlets.

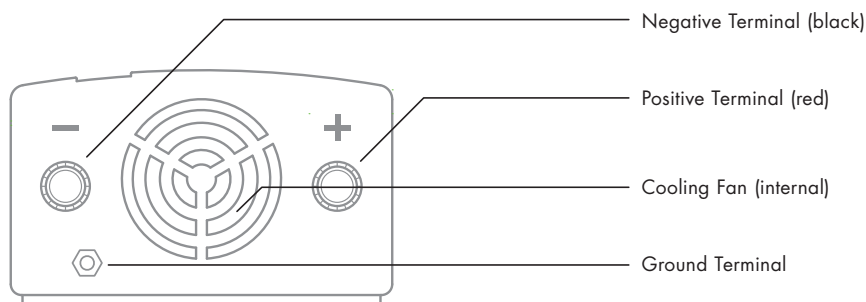
Red LED – When lit, indicates the inverter has shut down for any of the following reasons:

1. Low DC battery voltage – less than 10.5V
Preceded by an audible alarm. Charge the battery as soon as possible.
2. High battery voltage – greater than 15V
3. Over temperature – Shut off the inverter and let it cool before restarting.
4. Overload – reduce the AC appliance load.

Audible Alarm (not shown) – when it sounds, it indicates that the battery voltage is getting low and the inverter is about to shut down. If you can reduce the AC load, you can temporarily extend operating time. Charge the battery as soon as possible.

REAR PANEL

All inverters described in this manual have two terminals for connecting battery cables. One terminal is the Positive (+) terminal [red]; the other is the Negative (-) terminal [black]. The Positive battery cable should have a Battery Protection Fuse installed within one foot of the battery connection. The negative cable can be directly attached to the negative battery terminal. In some cases, a metal vehicle frame can be used as part of the negative cable to the battery.

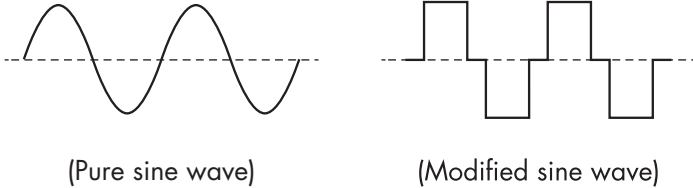


High Speed Fan – The fan turns on when there is a high load or an elevated temperature to keep the inverter cool. Do not block. Keep 2-inch clearance.

Ground Terminal – This terminal is for attaching a 12 gauge insulated safety ground wire. This safety wire protects personnel if there is an unlikely failure in either the cabling or enclosure insulation. Do not directly connect this ground to the negative DC terminal on the inverter. This safety wire is to be connected to the vehicle frame or earth ground or negative battery terminal as described in the installation procedure.

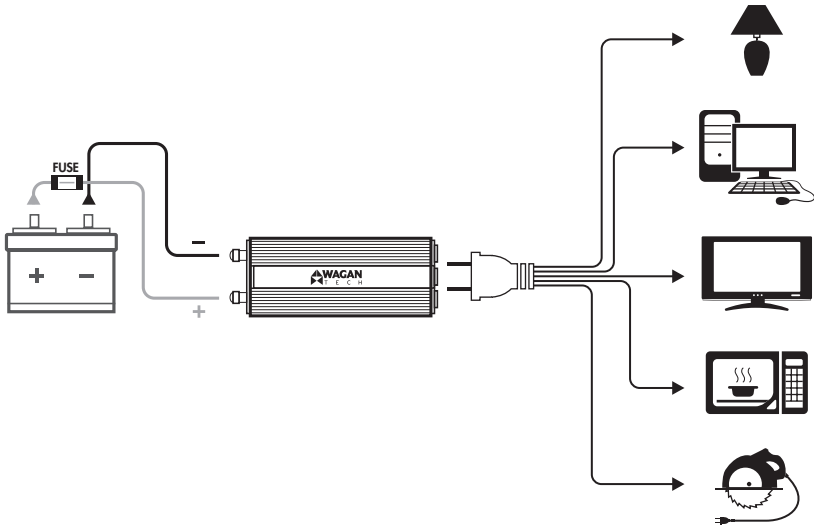
MEASURING THE AC VOLTAGE

This inverter's AC output is a modified sine wave (MSW) 115 volts AC. Your household AC output is pure sine wave. The comparison of modified sine wave and household AC is shown in the figure below.



This modified sine wave has a root mean square (RMS) voltage of 115 volts. Most ordinary AC voltmeters are calibrated to read "average" voltage and assume that the AC waveform will be a pure sine wave. These meters will not correctly read MSW voltage, and will display about 20 to 30 volts too low. Any multi-meter identified as "TRUE RMS" will accurately read MSW correctly.

PRODUCT USAGE



BASIC OPERATION

- Turn ON the power switch that is located at the front of the inverter, and the green LED indicator will light up as an indicator that the unit is working.
- Plug your appliance(s) into the AC socket(s) at the front of the inverter.

INSTALLATION

Safe installation requires that a Battery Protection fuse is installed within one foot of the positive (+) battery Terminal [red]. Use ANL marine fuses or equal because they do not spark when they blow. Use an appropriate fuse holder for the fuse. ANL fuse holders can be mounted so they do not move in a vehicle or vessel.

CONNECTING THE INVERTER

Loose DC (battery) connections will result in a severe voltage drop that can cause damage to connectors, conductors, and insulation and can cause sparking. Reverse polarity connection can permanently damage the inverter. Damage caused by reverse polarity will void the warranty.

WARNING:

Venting batteries produce explosive, corrosive gases. There is danger of explosion. DO NOT connect or disconnect BATTERY cables directly after battery discharge or recharge. Make sure that the battery bank area is well vented before attaching or removing cables.

NOTES: All recommended cable gauges and fuse sizes are located at the rear of this manual in the Cable Gauge Table. The table describes Cable Gauges for lengths greater than supplied cables.

“Round Trip” refers to actual cable distance in feet from the POS (+) battery terminal to the inverter and back to the NEG (-) battery terminal.

Crimp-on ring terminals are required on all cable ends. The cable ends need to be stripped of insulation for ½ inch before crimping on ring terminals. Select a crimp terminal size to fit the cable gauge and inverter and battery terminal connectors. After crimping, make sure that the cable connectors are secure on the cables so there are no loose connections.

CAUTION: Making an initial connection between the positive cable end and the inverter's positive terminal may cause a spark. This is normal and is a result of capacitors in the inverter starting to charge. Because of the possibility of sparking, it is extremely important that both the inverter and the battery bank be positioned away from any source of flammable fumes or gases. Failure to heed

this warning can result in fire or explosion. Do not make the positive terminal connection immediately after the batteries have been charging. Allow time for the battery gasses to vent to outside air.

GROUND TERMINAL WIRE REQUIREMENTS

Use a minimum of 12 gauge stranded wire for enclosure ground wire. Connect this to the chassis of your vehicle or to the grounding system in your boat. In a city, the ground wire can connect to a metal cold water pipe that goes underground. In remote locations, the ground wire can be connected to an "earth ground". This can be an attachment to a 6 foot long copper clad metal rod driven into the ground. In the unlikely event of a short circuit, operating the inverter without proper grounding can result in electrical shock. Do not directly connect this ground to the negative terminal on the inverter.

INSTALLATION PROCEDURE

1. Mount the inverter in a secure location. If the inverter is to be mounted on a wall, mount it horizontally. Make sure that the front and rear of the inverter has free air flow.
2. Make sure the cables are the proper gauge and have the fuse holder as close to the battery bank's Positive (+) terminal as possible.
3. Install the fuse in the Positive (+) cable (Refer to the Cable Gauge Table at rear of manual).
4. Make sure the ON/OFF switch located on the front panel of the inverter is in the OFF (O) position.
5. Install the ground wire from the ground terminal to the grounding point.
6. Connect the Negative (-) cable end to the inverter terminal and battery's Negative Terminal. Make sure you have good, secure connections.
7. Recheck and make sure the DC cable fuse is installed in the fuse holder.
8. Attach the positive cable to the Positive (+) DC connector on the battery and then the inverter. Make sure the connections are tight and secure.
9. Turn on the inverter from the Front Panel ON/OFF Switch.
10. Make certain that the green Operating LED is lit and the red FAULT LED



indicator is not lit.

11. Turn OFF (O) the inverter. The Fault LED may briefly flash; this is normal. The audible alarm may also sound a short chirp; this is also normal.
12. When you have confirmed that the appliance to be operated is turned off, plug the appliance into one of the AC outlets on the inverter.
13. Turn the inverter on.
14. Turn the appliance on. The appliance should begin working.
15. Observe the LED indicators for normal operation.

If flooded lead acid batteries are used, be sure that periodic checks of battery electrolyte levels are accomplished. Follow battery manufacturer's instructions in keeping the electrolytes at the proper level. Be sure to use pure distilled water when replacing evaporated electrolyte liquid.

RECOMMENDATIONS

- If the power inverter makes a beeping sound, turn OFF the inverter, disconnect all appliances from the inverter. The beeping sound is the low battery warning that indicates that the voltage of the battery power supply is getting low. Please restart the vehicle engine to charge the battery before using it to operate the inverter again.
- When you are not using the inverter, turn the power switch to OFF. This conserves battery power.

OPERATING TIPS

ADDING AN EXTENSION CORD

You may use up to 100 feet of high quality, heavy-duty extension cord. A longer cord will result in reduced power to appliances.

BUZZ IN AUDIO SYSTEMS

Some stereo systems and portable radios will emit a buzzing noise from their speakers when operated from the power inverter because the power supply in the device does not adequately filter the modified sine wave produced by the power inverter. The only solution is to use a sound system that incorporates a higher quality power supply.

TELEVISION INTERFERENCE

Operating the power inverter can interfere with television reception on some channels. If this situation occurs, the following steps may help to alleviate the problem:

- Do not operate high power loads with the power inverter while watching television.
- Make sure the antenna feeding your television provides an adequate static-free signal and you are using good quality cable between the antenna and the television.
- Move the television as far away from the power inverter as possible.
- Keep the cables between the battery and the power inverter as short as possible and twist them together with about 2 to 3 twists per foot. This minimizes radiated interference from the cables.
- Ferrite beads may be installed around battery cables and AC appliance cords to reduce noise.

MAINTENANCE

Very little maintenance is required to keep the inverter operating properly. Periodically check to ensure all terminals and connectors are secure and tight.



HEAT DISPERSAL

The inverter generates heat while it is working. This is not a malfunction. However, if the inverter gets too hot while working, it will turn off by itself. Position the inverter where air flows freely around it to allow the heat to disperse. The inverter's thermal protection prevents it from operating when its temperature exceeds 130°F ± 10°F.

TROUBLESHOOTING

PROBLEM: Low or No Output Voltage – Fault LED Lit

Reason	Solution
Poor contact with battery or inverter terminals.	Clean terminals thoroughly. Reinstall and tighten.

PROBLEM: Inverter Automatically Shut Down – Fault LED Lit

Reason	Solution
Battery voltage below 10V	Charge or replace battery.
Inverter is too hot. (Thermal protection mode.)	Allow inverter to cool. Check for adequate ventilation. Reduce the load on the inverter to rated continuous power output.
Unit may be defective.	See warranty and call customer service.
Equipment being operated draws too much power.	Use a higher capacity inverter or do not use this equipment.

PROBLEM: Pulsing Alarm


Reason	Solution
Input voltage below 10.5V	Keep input voltage above 10.5V
Poor or weak battery condition.	Recharge or replace battery.
Poor or loose cable connection.	Inspect terminals and tighten all connections.
Inadequate power being delivered to the inverter or excessive voltage drop.	Use heavier gauge DC cable. Keep cable length as short as possible.

DISPOSAL/RECYCLING OF INVERTER

Electronic products are known to contain materials that are toxic if improperly disposed. Contact local authorities for disposal and recycling information.

SPECIFICATIONS

All specifications are typical at nominal line, half load and 77°F unless otherwise noted. Specifications are subject to change without notice.

Name	Description
Input	11-15V DC Input
AC Output	110-120V
Output frequency	60Hz ± 1.5Hz
Output waveform	Modified Sine Waveform
TrueRated™ Power (24-hour continuous)	500 Watts
Peak Surge	1,000 Watts
Efficiency	Max. 88%
No load current	<0.2 Amps
Low battery alarm	10.5V ± 0.5V DC
Low battery automatic shutdown	9.5V ± 0.5V DC
Alarm and thermal shutdown	130 °F ± 10°
AC Outlets	2 NEMA 5-15 USA
	
USB Outlet	2.1A, 5V
Dimensions (L x W x H) inches	8.0 x 4.0 x 2.4 (in.)
Net Weight	2.0 lbs.

CABLE GAUGES BASED ON ROUND TRIP CABLE LENGTHS

Cable length (feet)	6	8	10	12	14	16	18	20	Fuse* (Amps)
Gauge (AWG)	6	4	4	4	2	2	2	2	50

*Battery protection fuse not included.



WAGAN Corp. Limited Warranty

The WAGAN Corporation warranty is limited to products sold only in the United States.

Warranty Duration:

Product is warranted to the original purchaser for a period of two (2) years from the original purchase date, to be free of defects in material and workmanship. WAGAN Corporation disclaims any liability for consequential damages. In no event will WAGAN Corporation be responsible for any amount of damages beyond the amount paid for the product at retail.

Warranty Performance:

During the warranty period, a product with a defect will be replaced with a comparable model when the product is returned to WAGAN Corporation with an original store receipt. WAGAN Corporation will, at its discretion, replace or repair the defective part. The replacement product will be warranted for the balance of the original warranty period. This warranty does not extend to any units which have been used in violation of written instructions furnished.

Warranty Disclaimers:

This warranty is in lieu of all warranties expressed or implied and no representative or person is authorized to assume any other liability in connection with the sale of our products. There shall be no claims for defects or failure of performance or product failure under any theory of tort, contract or commercial law including, but not limited to negligence, gross negligence, strict liability, breach of warranty, and breach of contract.

Returns:

WAGAN Corporation is not responsible for any item(s) returned without an official Return Authorization number (RA#). Please contact our customer service team by phone or email to obtain an RA#. You can also visit our website and chat with our team during our normal business hours. For more details and instructions on how to process a warranty claim, please read the "Returns" section under the "Contact" page on our website. WAGAN Corporation is not responsible for any shipping charges incurred in returning the item(s) back to the company for repair or replacement.

Register your product online at <http://tinyurl.com/wagan-registration> to be added to our email list. You will receive previews on our upcoming products, promotions, and events.

INTRODUCCIÓN

Gracias por adquirir un inversor de energía Slimline™ de Wagan Tech®. Con unos cuidados mínimos y un tratamiento adecuado le ofrecerá años de servicio fiable.

Este inversor convierte la corriente continua (CC) en corriente alterna para electrodomésticos (CA). El inversor funciona con una fuente de alimentación de CC únicamente. El nivel de corriente continua que ofrece este inversor es 12 V CC.

En una industria en la que varía tanto la salida de vatios real, Wagan Tech se enorgullece en presentar la tecnología TrueRated Power™. Los cuatro inversores disponen de TrueRated Power. Significa que la energía se ha probado y calculado en un periodo de 24 horas de uso continuo a carga completa. Muchos otros productos afirman un "funcionamiento continuo", mientras que a menudo solamente ofrecen 20 minutos de uso "continuo" a plena capacidad. También fabricamos nuestros inversores con una clasificación de subida en punta alta para soportar el encendido de aparatos motorizados.

Lea y comprenda este manual antes de instalar y usar este inversor. Conserve este manual como referencia en el futuro.

CARACTERÍSTICAS

- Dos indicadores LED muestran el estado operativo del inversor.
- Múltiples tomas de CA permiten alimentar más de un aparato simultáneamente.
- Los agujeros de montaje permiten una instalación segura y estable.
- Alta potencia en punta: Le permite alimentar aparatos que requieran una gran cantidad de vatios inicial para el arranque.
- Alarma de batería baja: El inversor emite una alarma audible y se apaga si la voltaje de la batería se gasta en exceso.
- Apagado automático/Protección de reinicio: El inversor se apaga temporalmente para protegerse contra sobrecalentamiento.
- Protección contra sobrecarga/cortocircuito: El inversor se apaga automáticamente si la carga conectada es excesiva o si se cortocircuita.



ADVERTENCIAS

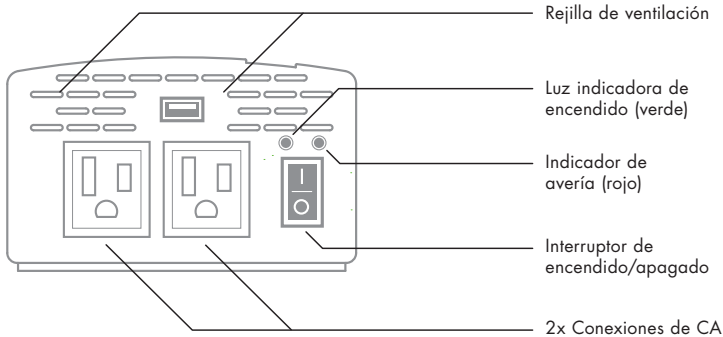
- No intente abrir el chasis del inversor. La alta tensión del interior de la unidad es del mismo tipo de alimentación que las tomas eléctricas domésticas.
- No use el inversor dentro ni cerca del agua. La tensión de la unidad hace que sea un riesgo de electrocución si se usa en condiciones de humedad. No deje que se moje el cable de un aparato conectado.
- No conecte el inversor CA directamente a otra fuente de alimentación CA.
- Manténgalo fuera del alcance de los niños: El inversor genera energía como una toma de corriente CA doméstica y debe tratarse con seriedad.

PRECAUCIONES

- No use el inversor en un vehículo con conexión positiva a tierra.
- Deje al menos 5 cm de espacio alrededor del inversor para que circule el aire.
- Si usa el inversor en un vehículo en movimiento, debe asegurar el inversor para evitar que se mueva cuando el vehículo lo haga.
- Si encuentra cualquier problema con el inversor, desconecte toda la alimentación.
- Las operaciones siguientes dañarán el inversor y anularán la garantía:
 - * Invertir la polaridad conectando los cables CC a los terminales incorrectos.
 - * Conectar el inversor a una fuente de alimentación mayor a 15V CC.

PANEL DELANTERO

Los cuatro inversores descritos en este manual tienen un interruptor de encendido/apagado, dos indicadores LED, y múltiples tomas CA. Las ubicaciones de los componentes varían según el modelo. Múltiples tomas CA permiten usar múltiples aparatos simultáneamente. A continuación se muestra un diagrama de un panel frontal habitual.



Interruptor de encendido/apagado – Controla el funcionamiento del inversor. Los indicadores siguientes funcionan con el interruptor encendido.

LED verde – Cuando está iluminado, indica que el inversor está encendido y funciona con normalidad. La CA está presente en todas las tomas de corriente.

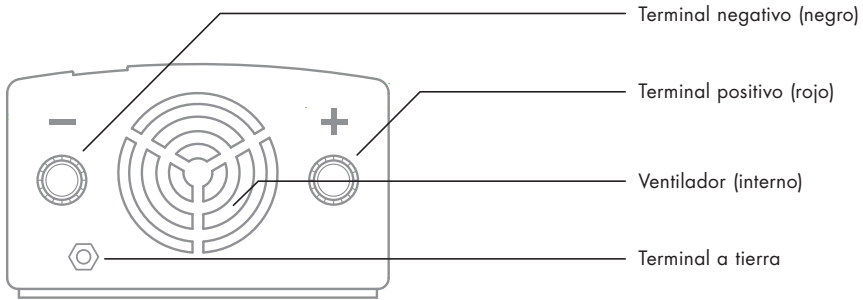
LED rojo - Cuando está encendido, el inversor se ha apagado por alguno de los motivos siguientes:

1. Baja tensión de batería CC – menos de 10.5 V
Precedido por una alarma acústica. Cargue la batería lo antes posible.
2. Alta tensión de batería – mayor de 15 V
3. Exceso de temperatura – Apague el inversor y déjelo enfriar antes de volver a usarlo.
4. Sobrecarga – Reduzca la carga de aparatos CA.

Alarma acústica (no mostrada) – al sonar, indica que la tensión de batería está bajando y el inversor está a punto de apagarse. Si puede reducir la carga CA podrá aumentar temporalmente el tiempo de funcionamiento. Cargue la batería lo antes posible.

PANEL TRASERO

Los inversores descritos en este manual tienen dos terminales para conectar cables de batería. Un terminal es el terminal positivo (+) [rojo] y el otro es el terminal negativo (-) [negro]. El cable de batería positivo debería tener un fusible de protección de batería instalado a menos de un pie (30 cm) de la conexión de la batería. El cable negativo puede conectarse directamente al terminal negativo de la batería. En algunos casos se puede usar el chasis metálico de un vehículo como parte del cable negativo a la batería.

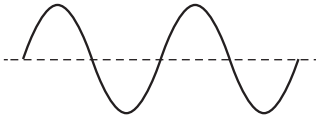


Ventilador de alta velocidad – El ventilador se enciende cuando hay una carga significativa o elevada temperatura para mantener frío el inversor. No lo obstruya. Mantenga 5 cm de espacio.

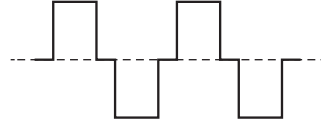
Terminal a tierra – A este terminal se puede conectar un cable aislado a tierra calibre 12 de seguridad. Este cable de seguridad es de protección personal en caso de un fallo poco común en el cableado o en el aislamiento. No conecte este cable directamente a ningún terminal de CC en el inversor. Este cable de seguridad se debe conectar al bastidor del vehículo o a tierra, o al terminal negativo de la batería como se describe en el procedimiento de instalación.

MEDICIÓN DE TENSION CA

La salida CA de este inversor es una onda sinusoidal modificada (MSW) de 115 voltios CA. La salida CA doméstica es una onda sinusoidal pura. La comparación de la onda sinusoidal modificada y la CA doméstica se muestra en la imagen siguiente.



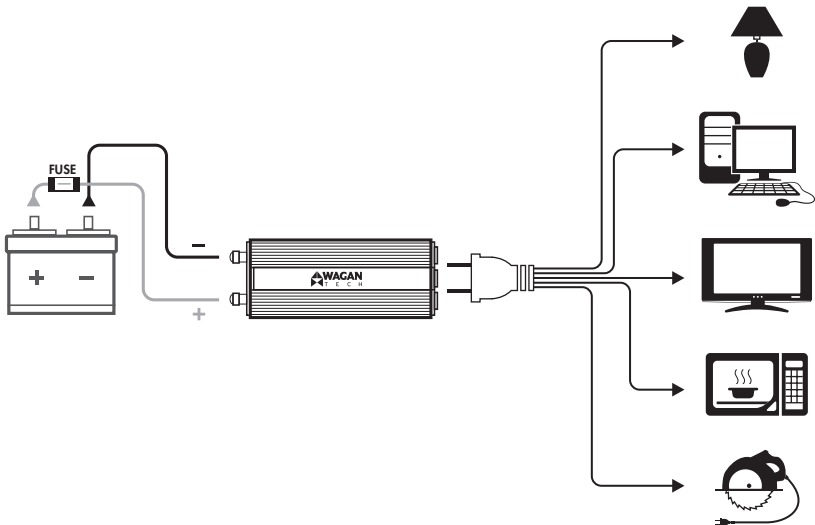
(Onda sinusoidal pura)



(onda sinusoidal modificada)

Esta onda sinusoidal modificada tiene una tensión de raíz cuadrada media (RMS) de 115 voltios. La mayoría de voltímetros CA habituales están calibrados para leer la tensión "media" y asumen que la forma de onda CA será una onda sinusoidal pura. Estos medidores no leerán correctamente la tensión MSW, y mostrarán aproximadamente entre 20 y 30 voltios menos. Cualquier multímetro identificado como "RMS AUTÉNTICO" leerá correctamente y con precisión la MSW.

USO DEL PRODUCTO



FUNCIONAMIENTO BÁSICO

- Encienda el interruptor de la parte delantera del inversor, el indicador LED verde se encenderá para mostrar que la unidad está funcionando.
- Conecte sus aparatos a las tomas de CA de la parte delantera del inversor.

INSTALACIÓN

Una instalación segura, precisa de la instalación de un fusible de protección de batería a menos de un pie (30 cm) del terminal positivo (+) de la batería [rojo]. Use fusibles marinos ANL o equivalentes, que no emiten chispa al saltar. Use un soporte de fusible adecuado para el fusible. Los soportes de fusibles ANL pueden montarse de forma que no se muevan en un vehículo o embarcación.

CONECTAR EL INVERSOR

Las conexiones sueltas CC (batería) provocarán una grave caída de tensión que puede dañar los conectores, conductores y el aislamiento, y provocar chispas. La conexión con polaridad inversa puede dañar permanentemente el inversor. Los daños causados por una polaridad inversa anularán la garantía.

ATENCIÓN:

Las baterías producen gases explosivos y corrosivos. Riesgo de explosión. NO conecte ni desconecte los cables de la BATERÍA directamente tras descargar o recargar la batería. Asegúrese de que la zona del banco de baterías esté bien ventilada antes de conectar o sacar cables.

NOTAS: Todas las medidas de cable y tamaños de fusible recomendados se encuentran al final de este manual, en la tabla de medidas de cable. La tabla describe la medida del cable para longitudes superiores a las de los cables proporcionados.

“Recorrido” se refiere a la distancia real del cable en pies desde el terminal de batería POS (+) por el inversor y de vuelta al terminal de batería NEG (-).

Son necesarios terminales en anilla crimpables en todos los extremos de cable. Los extremos de cable deben pelarse de aislamiento 1,75 cm antes de crimparlos a los terminales de anilla. Seleccione un tamaño de terminal de crimpado que se adapte a la medida del cable y a los conectores del inversor y el terminal de batería. Después de crimpar, asegúrese de que los conectores de cable estén fijados sobre los cables de forma que no queden conexiones sueltas.

PRECAUCIÓN: Realizar una conexión inicial entre el extremo del cable positivo y el terminal positivo del inversor puede provocar una chispa. Es normal y se

produce por el inicio de carga de los capacitadores del inversor. Debido a la posibilidad de chispas, es muy importante que tanto el inversor como el banco de baterías estén alejados de cualquier fuente de vapores o gases inflamables. No obedecer esta advertencia puede provocar un incendio o explosión. No realice la conexión del terminal positivo inmediatamente después de cargar las baterías. Deje tiempo para que los gases de las baterías se ventilen al aire libre.

REQUISITOS DEL CABLE PARA EL TERMINAL A TIERRA

Use un cable trenzado de espesor 12 como cable a tierra. Conéctelo al chasis de su vehículo o a al sistema de puesta a tierra de su embarcación. En la ciudad, el cable a tierra no debe conectarse a una tubería metálica de agua fría subterránea. En sitios remotos, el cable a tierra puede conectarse a "tierra" directamente. Puede ser unido a una varilla metálica de cobre de 6 pies de longitud clavada en la tierra. En el caso poco probable de un cortocircuito, utilizar el inversor sin la debida puesta a tierra puede causar choque eléctrico. No conecte este cable a tierra directamente al terminal negativo en el inversor.

PROCEDIMIENTO DE INSTALACIÓN

1. Monte el inversor en una ubicación segura. Si el inversor se va a montar en una pared, móntelo en posición horizontal. Asegúrese de que las partes delantera y trasera del inversor tengan un paso de aire libre.
2. Asegúrese de que los cables sean de la medida adecuada y tener el soporte de fusible tan cerca del terminal positivo (+) del banco de baterías como sea posible.
3. Instale el fusible en el cable positivo (+) (Consulte la tabla de medida de cable en la parte posterior del manual).
4. Asegúrese de que el interruptor de encendido/apagado del panel delantero del inversor esté en posición de apagado (O).
5. Instale el cable a tierra desde el terminal a tierra hasta el punto de puesta a tierra.
6. Conecte el extremo del cable negativo (-) al terminal del inversor y al de batería negativo (-). Asegúrese de tener conexiones correctas y seguras.
7. Vuelva a comprobar y asegúrese de que el fusible del cable CC esté instalado en el soporte del fusible.
8. Conecte el cable positivo al conector CC positivo (+) de la batería y luego al inversor. Asegúrese de que las conexiones estén firmes y seguras.
9. Encienda el inversor con el interruptor de encendido/apagado del panel



delantero.

10. Asegúrese de que el LED de funcionamiento verde esté encendido y que el LED de ERROR rojo no esté encendido.
11. Apague (O) el inversor. El LED de error puede parpadear brevemente; es normal. La alarma acústica también puede sonar brevemente; es normal.
12. Cuando haya confirmado que el aparato que se va a usar esté apagado, enchufe el aparato a una de las tomas CA del panel delantero del inversor.
13. Encienda el inversor.
14. Encienda el aparato. El aparato debería comenzar a funcionar.
15. Observe los indicadores LED para confirmar que funciona con normalidad.

Si se usan baterías de plomo-ácido inundadas, asegúrese de comprobar periódicamente los niveles de electrolito de la batería. Siga las instrucciones del fabricante de la batería para mantener los electrolitos al nivel adecuado. Asegúrese de usar agua destilada pura cuando rellene el líquido electrolito evaporado.

RECOMENDACIONES

- Si el inversor emite un pitido, apáguelo, desconecte todos los aparatos del inversor. El pitido es el aviso de batería baja, que indica que la tensión de batería se está reduciendo. Vuelva a arrancar el motor del vehículo para cargar la batería antes de volver a usarla para el inversor.
- Cuando no esté usando el inversor, ponga el interruptor en apagado. Así ahorrará energía de la batería.

RECOMENDACIONES DE USO

AÑADIR UN CABLE EXTENSOR

Puede usar hasta 30 m de cable de alta calidad y rendimiento. Un cable más largo provocará una reducción de alimentación para los aparatos.

SISTEMAS DE AUDIO CON ZUMBIDOS

Algunos sistemas estéreo y radiocasetes emitirán un zumbido por los altavoces cuando se usen con el inversor, dado que la alimentación del dispositivo no filtra correctamente la onda sinusoidal modificada producida por el inversor. La única solución es usar un sistema de sonido que incluya una fuente de alimentación de mayor calidad.

INTERFERENCIAS EN TELEVISIÓN

Usar el inversor puede interferir con la recepción televisiva en algunos canales. Si se produce esta situación, los pasos siguientes pueden ayudar a reducir el problema:

- No use cargas de alta potencia con el inversor cuando vea la televisión.
- Asegúrese de que la alimentación de antena del televisor produzca una señal adecuada y sin estática, y de estar usando un cable de buena calidad entre la antena y el televisor.
- Aleje el televisor lo máximo posible del inversor.
- Mantenga los cables entre la batería y el inversor lo más cortos posibles y enróllelos, de 6 a 9 retorcimientos por metro. Así reducirá las interferencias emitidas por los cables.
- Puede instalar cuentas de ferrita alrededor de los cables de batería y los cables de aparatos CA para reducir las interferencias.

MANTENIMIENTO

Es necesario muy poco mantenimiento para conservar el funcionamiento del inversor. Compruebe periódicamente que todos los terminales y conectores estén seguros y ajustados.



DISPERSIÓN DE CALOR

El inversor genera calor durante el funcionamiento. No es una avería. Sin embargo, si el inversor se calienta demasiado durante el uso, se apagará solo. Coloque el inversor en un lugar en el que circule el aire libremente a su alrededor para dejar dispersar el calor. La protección térmica del inversor evita que funcione cuando la temperatura exceda los $55^{\circ}\text{C} \pm 5^{\circ}\text{C}$.

SOLUCIÓN DE PROBLEMAS

PROBLEMA: Tensión de salida baja o nula – LED de error encendido

Causa	Solución
Mal contacto con los terminales de batería o inversor.	Limpie a fondo los terminales. Vuelva a instalarlos y ajústelos.

PROBLEMA: El inversor se apaga automáticamente – LED de error encendido

Causa	Solución
Tensión de batería inferior a 10 voltios	Cargue o sustituya la batería.
Inversor demasiado caliente: (modo de protección térmica)	Deje enfriar el inversor. Compruebe si la ventilación es adecuada. Reduzca la carga del inversor a la salida de potencia continua nominal.
La unidad puede ser defectuosa.	Consulte la garantía y llame a atención al cliente.
El equipo usado absorbe demasiada energía.	Use un inversor de mayor capacidad o no use el equipo.

PROBLEMA: Alarma palpitante


Causa	Solución
Tensión de entrada inferior a 10.5 voltios	Mantenga la tensión de entrada por encima de 10.5 voltios
Mal estado de batería o batería baja.	Recargue o sustituya la batería.
Conexión de cable pobre o suelta.	Inspeccione los terminales y apriete todas las conexiones.
Alimentación inadecuada entregada al inversor o caída excesiva de tensión.	Use un cable CC de medida más densa. Mantenga la longitud del cable lo más corta posible.

ELIMINACIÓN/RECICLAJE DEL INVERSOR

Los productos electrónicos contienen materiales tóxicos si se desechan inadecuadamente. Contacte con las autoridades locales para obtener información sobre eliminación y reciclaje.

ESPECIFICACIONES

Todas las especificaciones son habituales en línea nominal, media carga y 25°C salvo indicación contraria. Las especificaciones están sujetas a cambios sin previo aviso.

Nombre	Descripción
Entrada	11-15V entrada de CC
Salida	110-120V CA
Frecuencia de salida	60Hz ± 1.5Hz
Forma de onda de salida	Forma de onda sinusoidal modificada
TrueRated™ Power (24 horas continuo)	500 vatios
Alimentación de subida	1,000 vatios
Eficiencia	Máximo 88%
Corriente sin carga	<0.2 amperios
Alarma de batería baja	10.5V ± 0.5V CC
Apagado por batería baja	9.5V ± 0.5V CC
Alarma y apagado térmico	55°C ± 5°
Enchufes CA	2 NEMA 5-15 EE. UU.
	
Conexiones USB	2.1 A, 5 V
Dimensiones (L x P x A) cm	20.3 x 10.2 x 6.1 (cm)
Peso neto	0.9 kg

MEDIDAS DE CABLE SEGÚN LONGITUDES DE RECORRIDO DE CABLE

Longitud total de cable (metros)	6	8	10	12	14	16	18	20	Fusible* (Amperios)
Calibre (AWG)	6	4	4	4	2	2	2	2	50

* Fusible de protección de batería no incluida.

Garantía Limitada de la Corporación Wagan

La garantía de WAGAN Corporation se limita exclusivamente a los productos vendidos en Estados Unidos.

Duración de la garantía:

Se extiende la garantía del producto para el comprador original por el periodo de dos (2) años a partir de la fecha de compra original, que declara que está libre de defectos de materiales y mano de obra. WAGAN Corporation no asume ninguna responsabilidad por daños consecuentes. Bajo ninguna circunstancia WAGAN Corporation asumirá responsabilidad por daños que excedan el importe pagado por el producto en una tienda minorista.

Cumplimiento de la garantía:

Durante el periodo de la garantía, un producto defectuoso será reemplazado por un modelo equivalente cuando el producto sea devuelto a WAGAN Corporation con un recibo original de la tienda. WAGAN Corporation, a su criterio, reemplazará, reemplazará o reparará la parte defectuosa. El producto de reemplazo quedará cubierto por el resto del periodo de la garantía original. Esta garantía no se extiende a las unidades cuyo uso haya violado las instrucciones suministradas por escrito.

Exclusiones de la garantía:

Esta garantía reemplaza toda otra garantía expresa o implícita y ningún representante o persona están autorizados a asumir responsabilidad alguna en relación con la venta de nuestros productos. No se aceptarán reclamos por defectos o falla de funcionamiento o falla del producto bajo ninguna interpretación del derecho de responsabilidad civil, contractual o comercial, sin limitarse a negligencia, negligencia grave, responsabilidad objetiva, violación de garantía y violación de contrato.

Devoluciones:

WAGAN Corporation no se responsabiliza por cualquier elemento(s) devuelto(s) sin un número de Autorización de devolución (#AD). Por favor póngase en contacto con nuestro equipo de servicio al cliente por teléfono o correo electrónico para obtener un #AD. También puede visitar nuestro sitio web y hablar con nuestro equipo en nuestro horario normal de trabajo. Para más detalles e instrucciones sobre cómo procesar un reclamo de garantía, por favor lea la sección "Devoluciones" de la página de "Contacto" en nuestro sitio web. WAGAN Corporation no se responsabiliza por cualquier cargo por envío que resulte de la devolución de el/los elemento(s) a la compañía para reparaciones o reemplazo.

Registre su producto en línea en <http://tinyurl.com/wagan-registration> para ser agregado a nuestra lista de correo electrónico. Recibirá reseñas sobre nuestros próximos productos, promociones y eventos.



31088 San Clemente Street
Hayward, CA 94544, U.S.A.

Tel: +1.510.471.9221
U.S. & Canada Toll Free: +1.800.231.5806
customerservice@wagan.com
www.wagan.com

©2019 Wagan Corporation. All Rights Reserved
Wagan Tech and wagan.com are trademarks of Wagan Corporation

© Corporación Wagan 2019. Todos los derechos reservados
Wagan Tech y wagan.com son marcas registradas de la Corporación Wagan

REV20190326-ES