

**Technical Data Coin-type Manganese Dioxide Lithium Battery**  
**Type: CR2477**  
Made in China

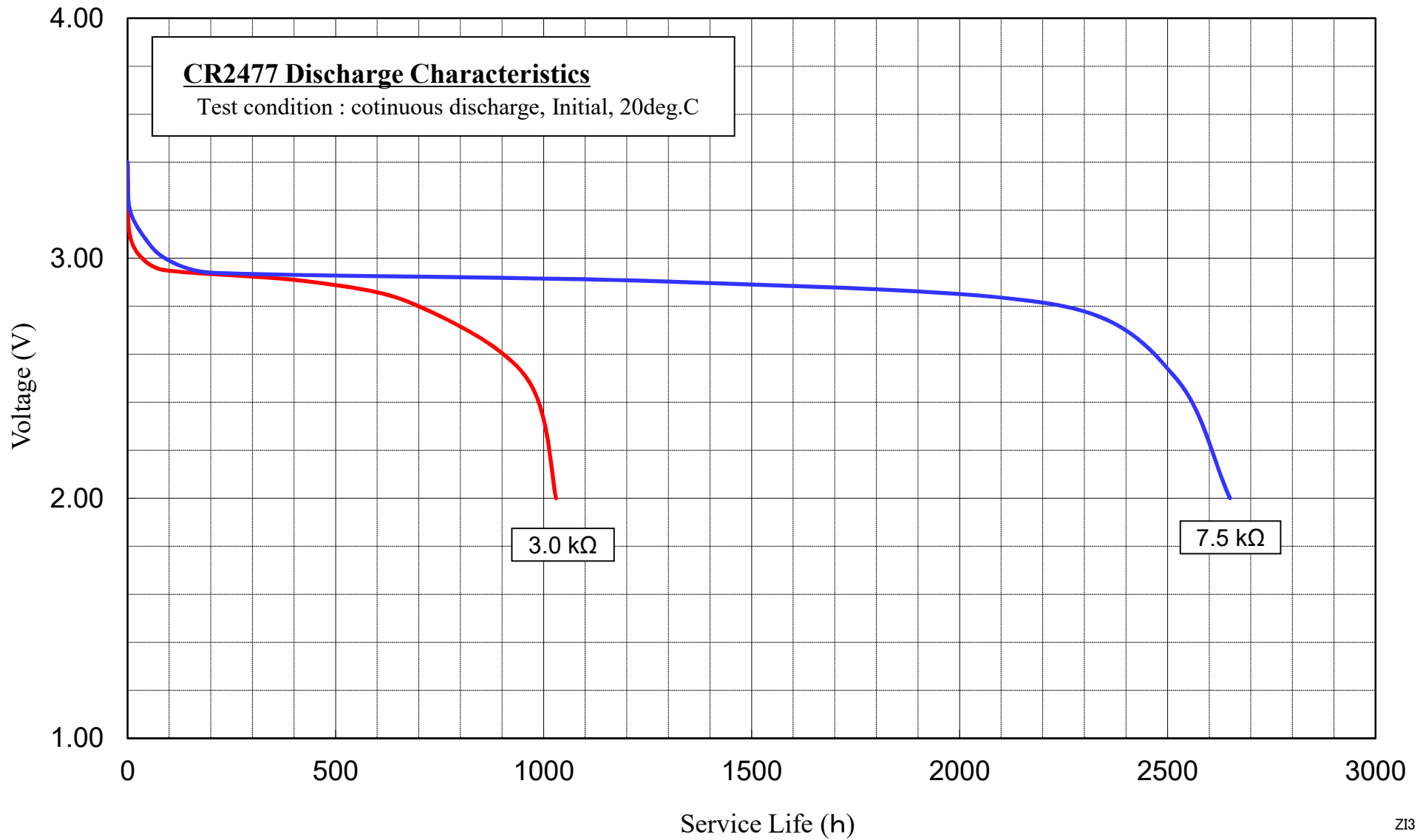
2020/5/15

**TOSHIBA LIFESTYLE PRODUCTS & SERVICES CORPORATION**

**Ratings**

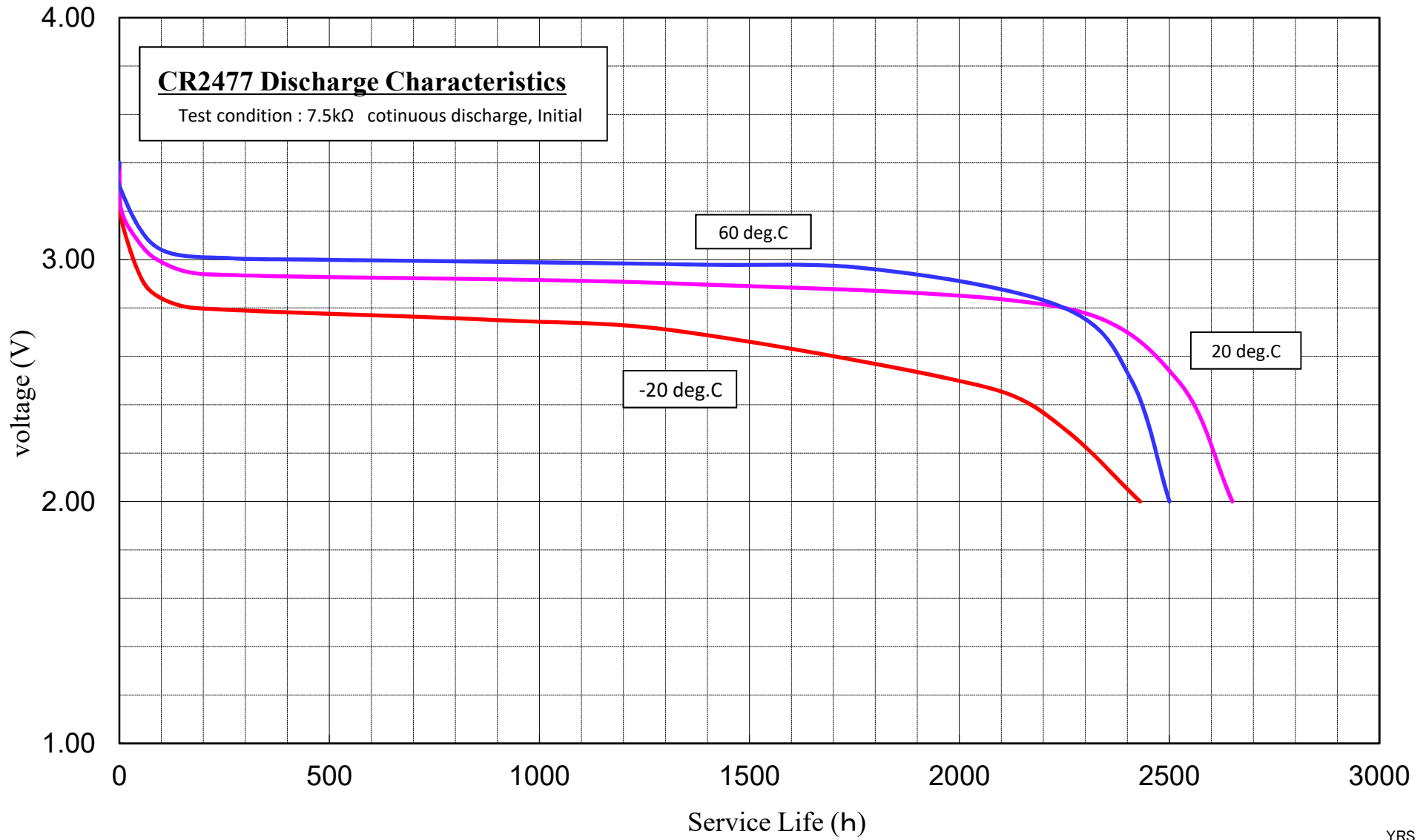
Battery system		Coin-type Manganese Dioxide Lithium Battery
Item		
Battery type		CR2477
Nominal Voltage		3.0V
Standard Capacity [Condition]		1000 mAh [on continuous discharge under 7.5kΩload to 2.0V end-point at 20deg.C]
Terminals	Cap Terminals	SUS + Ni plate
	Base Terminals	SUS + Ni plate
Outer dimensions	Diameter	φ12.5(0/-0.3)mm
	Overall height	2.0(0/-0.2)mm
Usable temperature range		-20 ~ 65deg.C
Storage temperature range		

This is only for reference.(not guaranteed.) This information contained herein may be changed without prior notice.



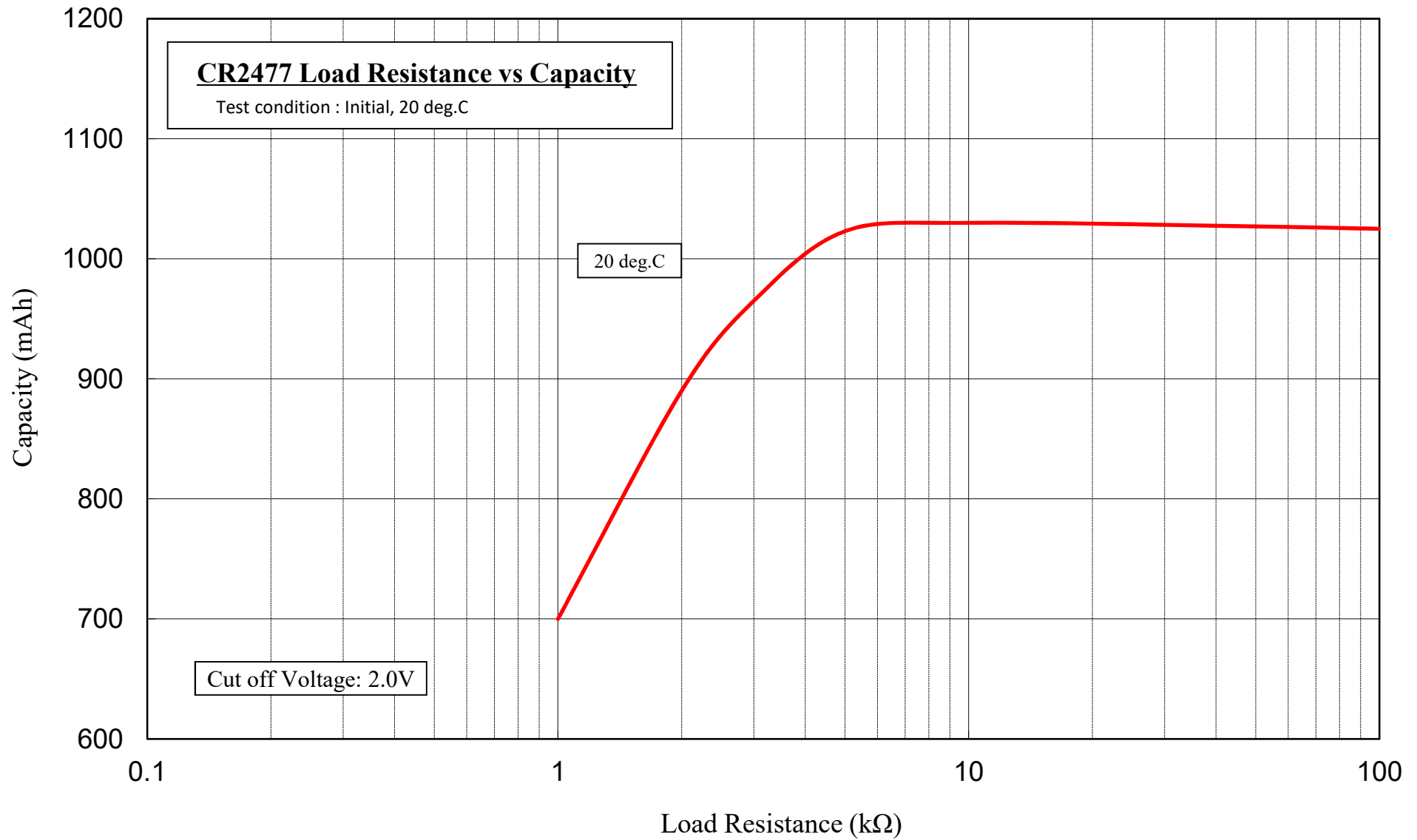
This is only for reference.(not guaranteed.) This information contained herein may be changed without prior notice.

Proprietary materials of TOSHIBA LIFESTYLE PRODUCTS & SERVICES CORPORATION



This is only for reference.(not guaranteed.) This information contained herein may be changed without prior notice.

Proprietary materials of TOSHIBA LIFESTYLE PRODUCTS & SERVICES CORPORATION



This is only for reference.(not guaranteed.) This information contained herein may be changed without prior notice.

Proprietary materials of TOSHIBA LIFESTYLE PRODUCTS & SERVICES CORPORATION

**CR2477 Safety Evaluation Test**

	n	Conditions	Requirements
Heat test	5	Cells are kept stored for 24hrs. Temperature: 80+/-2deg.C Humidity: 70%RH or less.	Open-circuit voltage is to be kept same as initial value. No abnormal appearance and no substandard dimensions are to be observed.
Vibration test	5	Amplitude: 1.0mm Frequency: 10 to 55 to 10Hz Sweep: 1minute Period: 2h per each direction of X and Y axes, 4h in total	Open-circuit voltage is to be kept same as initial value. No abnormal appearance and no substandard dimensions are to be observed.
Drop test	5	Number of drops: 10 times    Height: 75cm Floor: Concrete    Direction: Free	Open-circuit voltage is to be kept same as initial value. No abnormal appearance and no substandard dimensions are to be observed.
Weighing test	5	Weight of 19.8N(2kgf) is laid for 1 hour and 9.8N(1kgf) for 24 hours respectively on all over negative side of cells.	Open-circuit voltage is to be kept same as initial value. No abnormal appearance and no substandard dimensions are to be observed.
Short-circuit test	5	Cells are Short-circuited for 48 hours.	No burst, No fire

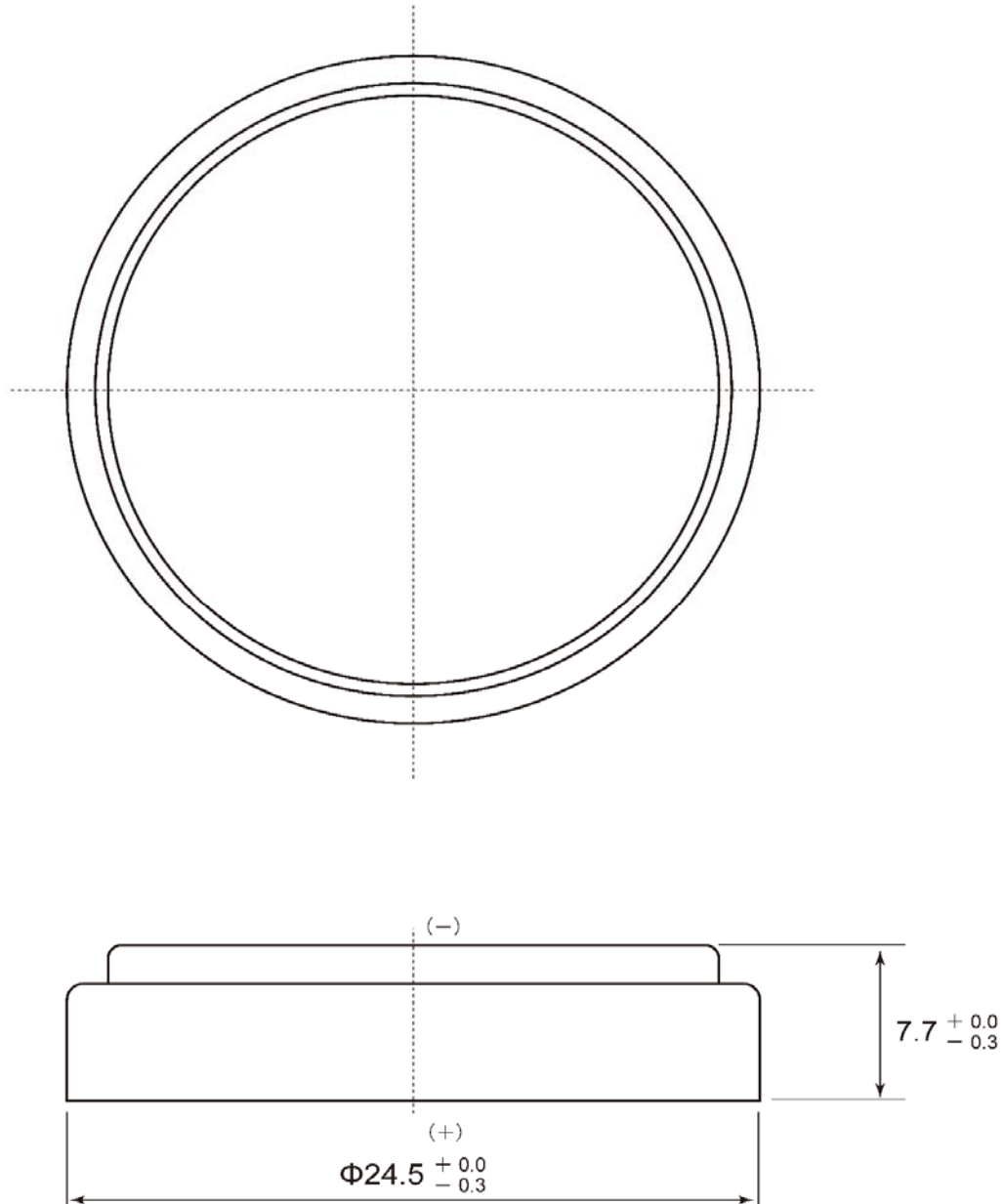
This is only for reference.(not guaranteed.) This information contained herein may be changed without prior notice.

**CR2477 Leakage Performance**

Test items		Electrolyte Leakage (%)			
		20days	40days	60days	90days
Test condition	Storage period				
	Storage at high temperature and high humidity	45deg.C-70%RH	0	0	0
60deg.C-90%RH		0	0	-	-
Temperature cycle	Temperature : -10deg.C ⇔ 60deg.C (4h/Cycle, 6cycle/day,20Day)	0	-	-	-

This is only for reference.(not guaranteed.) This information contained herein may be changed without prior notice.

**CR2477 Outline Drawing**



Unit: mm

This is only for reference.(not guaranteed.) This information contained herein may be changed without prior notice.

Proprietary materials of TOSHIBA LIFESTYLE PRODUCTS & SERVICES CORPORATION