

XR2-A-RD

ULTRA-COMPACT RECHARGEABLE HANDGUN WEAPONLIGHT + RED LASER SIGHT



800 LUMENS



30 MINUTES



245 METERS



REFLECTOR



RECHARGEABLE



LASER

DESCRIPTION

The SureFire XR2 combines brilliant LED white light and laser sighting capability in a compact, durable and reliable unit that offers the convenience of environmentally friendly rechargeability.

The XR2's recoil-proof LEDs pump out 800 lumens of light downrange, while SureFire's parabolic reflector technology ensures a smooth, rounded beam that is for ideal situational awareness. For added security, the XR2's <5-milliwatt, red Class IIIa laser can be instantly activated for accurate target acquisition. The XR2's quick-detach lithium polymer battery provides easy recharging without removing the light from the weapon. Simply remove the battery and charge it via the included battery charging cradle.

Intuitive, ambidextrous switching provides easy and instant activation. Momentary-on activation is achieved by applying constant pressure on the downward-activated toggle switches. Constant-on activation is achieved by quickly tapping and releasing either one of the momentary-on switches. A convenient mode switch provides multiple activation options — light only, laser only or light plus laser. Durable enough for everyday carry, the XR2 sets a new standard in ultra-compact WeaponLights.



FEATURES

- Brilliant white LEDs with the added assurance of a laser sight in an ultra-compact rechargeable WeaponLight that is ideal for concealed-carry use
- Ambidextrous switching plus a mode switch add versatility; chose light only, laser only or light plus laser
- Quick-detach lithium polymer battery can be removed for recharging without removing the light from the weapon, and without shifting the laser's zero
- Securely attaches to most rail-equipped handguns
- Tough, Mil-Spec hard-anodized body is gasket sealed for weatherproof durability
- Included: (1) 2-bay battery charger, (1) B13 battery (installed), micro USB cable, windage/elevation 0.050" hex wrench, and Universal (installed) and Picatinny crossmembers

PART# / UPC

XR2-A-RD

084871329989

SPECIFICATIONS

	XR2-A-RD
OUTPUT	800 lumens / < 5 mW; 635 nm; Class IIIa
RUNTIME	30 minutes
PEAK BEAM INTENSITY	15,000 candela
DISTANCE	245 meters
CONSTRUCTION	Aluminum
FINISH	Mil-Spec Hard Anodized
WEIGHT (w/batteries)	2.3 oz (65 g)
LENGTH	2.46 in (6.25 cm)
BATTERIES	Removable Rechargeable Lithium Polymer
SWITCHING	Ambidextrous momentary / Ambidextrous toggle tap

All performance claims tested to ANSI/NEMA FL1-2019 Standard.



THE WORLD'S FINEST ILLUMINATION TOOLS, SUPPRESSORS, & TACTICAL PRODUCTS®

18300 Mt. Baldy Circle, Fountain Valley, CA 92708 | 714-545-9444 | Fax: 714-545-9537 | surefire.com

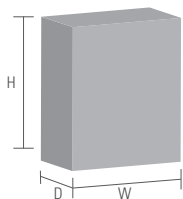
Actual product may vary from photo. Prices and specifications subject to change without notice. | Export of the product(s) shown herein must comply with the appropriate U.S. Government Jurisdiction(s) and Regulation(s).

©2022 SureFire, LLC JAN

PACKAGING SPECS

BATTERY TYPE	VOLTAGE	CAPACITY	ENERGY	WEIGHT	LITHIUM CONTENT
Lithium Polymer	3.7 V	660 mAh	2.4 Wh	20.5 g	0.198 g

*Specifications per battery



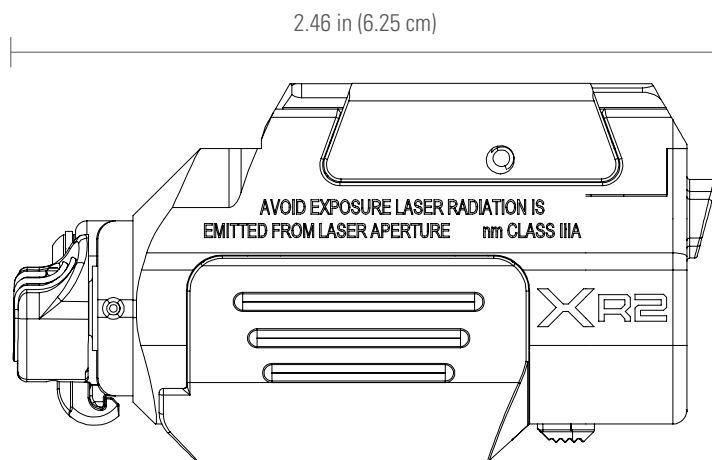
TYPE Box - Kraft Stock

HEIGHT 6 in (15.2 cm)

WIDTH 4.625 in (11.7 cm)

DEPTH 1.625 in (4.1 cm)

BODY SPECS



DO NOT VIEW THE LASER BEAM WITH OPTICAL INSTRUMENTS (SCOPES, BINOCULARS, ETC.). DO NOT ATTEMPT TO OPEN OR MODIFY LASER HOUSING.



MIL-STD



THE WORLD'S FINEST ILLUMINATION TOOLS, SUPPRESSORS, & TACTICAL PRODUCTS®

18300 Mt. Baldy Circle, Fountain Valley, CA 92708 | 714-545-9444 | Fax: 714-545-9537 | surefire.com

Actual product may vary from photo. Prices and specifications subject to change without notice. | Export of the product(s) shown herein must comply with the appropriate U.S. Government Jurisdiction(s) and Regulation(s).