

X400T

HIGH CANDELA HANDGUN LIGHT + RED LASER



500 LUMENS



50,000 CANDELA



1 HOUR



447 METERS



REFLECTOR



MULTIPLE SETTINGS



LASER



IPX4 PROTECTION

DESCRIPTION

With a stunning 50,000 candela focused by a precision-made smooth parabolic reflector, the X400T-A generates a far-reaching high-intensity beam with a focused center spot that is highly effective for long-range engagements. You can count on the X400T-A to help you positively identify threats at significant distances and temporarily impair an aggressor's vision. It also provides a corona of diffused light to help you maintain situational awareness. The X400T-A's highly visible <5 Milliwatt red laser allows you to get on target quickly without using your sights. Once zeroed, it rarely needs re-zeroing, thanks to Nyllok® adjustment screws that won't back out from the effects of recoil.

Activating the X400T-A is done via ambidextrous switching located at the rear of body, providing one-finger control — press the switch on either side for momentary-on activation, flip up or down for constant-on activation. Optional DG grip switches (for pistols) and a pressure activated XT07 tape switch (for long guns) permit the X400T-A to be activated without altering your grip on your weapon.

The rugged X400T-A with its T-slot thumbscrew clamp — attaches securely to the Universal and Picatinny rails found on most handguns. Its high-strength aerospace aluminum body is Mil-Spec Hard Anodized for superior toughness and is O-ring and gasket sealed to make it weatherproof to IPX4 test standards.



FEATURES

- Precision-made parabolic reflector produces a far-reaching, high-intensity beam for medium- to long-distance illumination
- Dimensionally identical to the X400U-A series
- Highly visible 5-milliWatt red laser, provides quick, accurate target acquisition without using your sights
- Integral ambidextrous momentary- and constant-on switching provides easy instant activation
- Mode selector switch allows you to choose light only, laser only, or light plus laser
- Attaches securely to Universal and Picatinny accessory rails
- Mil-Spec hard-anodized aluminum body and tempered window make it light rugged, durable and combat ready
- Accepts optional pressure-activated DG and XT remote switches for precision control without altering weapon grip

SPECIFICATIONS

	X400T - RED
OUTPUT	500 lumens
RUNTIME	Light only: 1 hour Laser only: 24 hours
PEAK BEAM INTENSITY	50,000 candela
DISTANCE	447 meters
CONSTRUCTION	Aluminum
FINISH	Mil-Spec Hard Anodized
WEIGHT (w/batteries)	5 ounces / 141.7g
LENGTH	3.76 inches / 9.55 cm
BEZEL DIAMETER	1.125 in (2.9 cm)
BATTERIES	Two 123A lithium (incl.)
SWITCHING	Ambidextrous push/toggle
LIQUID INGRESS PROTECTION	IPX4

All performance claims tested to ANSI/NEMA FL1-2019 Standard.

PART# / UPC

X400T-A-RD

084871331630



THE WORLD'S FINEST ILLUMINATION TOOLS, SUPPRESSORS, & TACTICAL PRODUCTS®

18300 Mt. Baldy Circle, Fountain Valley, CA 92708 | 714-545-9444 | Fax: 714-545-9537 | surefire.com

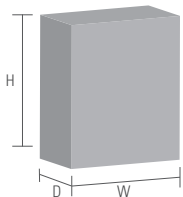
Actual product may vary from photo. Prices and specifications subject to change without notice. | Export of the product(s) shown herein must comply with the appropriate U.S. Government Jurisdiction(s) and Regulation(s).

©2022 SureFire, LLC JAN

PACKAGING SPECS

BATTERY TYPE	VOLTAGE	CAPACITY	ENERGY	WEIGHT	LITHIUM CONTENT
123A*	3 V	1,550 mAh	4.65 Wh	17 g	0.465 g

*Specifications per battery



TYPE	Box - Kraft Stock
HEIGHT	7.75 in (19.6 cm)
WIDTH	4.625 in (11.7 cm)
DEPTH	1.5 in (3.8 cm)

FEATURED ACCESSORIES



DG SWITCH
(Grip switch for handguns)
Other appropriate models available



XT07 TAPE SWITCH
(Rail attach for long guns)
UPC: 084871851282

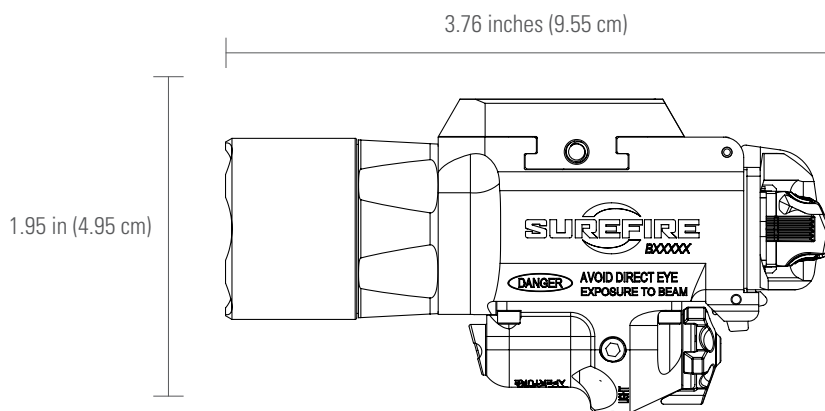


123A LITHIUM BATTERIES
Available in 2, 6, 12-packs and bulk options



SC1 SPARE BATTERY CARRIER
Other appropriate models also available

BODY SPECS



DO NOT VIEW THE LASER BEAM WITH OPTICAL INSTRUMENTS (SCOPES, BINOCULARS, ETC.). DO NOT ATTEMPT TO OPEN OR MODIFY LASER HOUSING.



MIL-STD



THE WORLD'S FINEST ILLUMINATION TOOLS, SUPPRESSORS, & TACTICAL PRODUCTS®

18300 Mt. Baldy Circle, Fountain Valley, CA 92708 | 714-545-9444 | Fax: 714-545-9537 | surefire.com

Actual product may vary from photo. Prices and specifications subject to change without notice. | Export of the product(s) shown herein must comply with the appropriate U.S. Government Jurisdiction(s) and Regulation(s).