

# MICRO SCOUT LIGHT® PRO USER MANUAL

## BATTERY INFORMATION & WARNING

Before replacing batteries, read the enclosed BATTERY INFORMATION/ WARNING insert in your original packaging. For additional battery safety, handling, and product information, visit [www.surefire.com/batteries](http://www.surefire.com/batteries).

## MAINTENANCE

Use a clean, dry cloth to wipe off body and window. Periodically clean and lubricate threads. Apply a thin coat of non-migrating, silicon-based lubricant to O-rings (do not use petroleum-based lubricants which can harm O-rings).

## ACCESSORIES

SureFire makes a full line of accessories for most of its illumination tools. For a complete listing, visit [www.surefire.com/partsaccessories](http://www.surefire.com/partsaccessories).

## THE SUREFIRE NO-HASSLE GUARANTEE

We'll do what it takes to keep your SureFire gear running smoothly. SureFire warrants that if you — our customer — purchase one of our products, and we determine that it is defective in material and/or workmanship during your lifetime, we will repair or replace it — no hassle!

Our warranty does not cover consumables or normal wear-and-tear — things like batteries draining, headbands and headpads wearing out, ink cartridges running out, and switches wearing out — or damage resulting from abuse, alterations, unauthorized repairs, or use contrary to SureFire's user manuals.

Should you need a replacement product, SureFire reserves the right to replace an obsolete product with a current production, like model. In the event that any issue with a SureFire product is not covered under this warranty SureFire can arrange to have the product repaired for a reasonable fee.

## STANDARD DISCLAIMER

Except as specified above or prohibited by applicable law: all express or implied conditions and warranties, including, without limitation, any implied warranty or condition of merchantability or fitness for a particular purpose, or accuracy of any informational content, are hereby excluded and disclaimed by SureFire; and in no event will SureFire be liable for any special, direct, indirect, consequential, incidental or punitive damages howsoever arising and regardless of the theory of liability, even if advised of the possibility of such damages. Products, prices, availability, specifications, and offers are subject to change or cancellation at any time without notice.

## WARRANTY CLAIMS

For claims, contact Customer Service at 714-545-9444 to obtain a Return Merchandise Authorization number (RMA#). Then package the unit carefully and send to (no CODs):

SureFire, LLC.  
Repairs Department, RMA# \_\_\_\_\_  
17680 Newhope Street, Suite B  
Fountain Valley, CA 92708

SureFire will pay any reasonable shipping costs to return the unit to you.

Revision A 6-2020  
71-01-1111

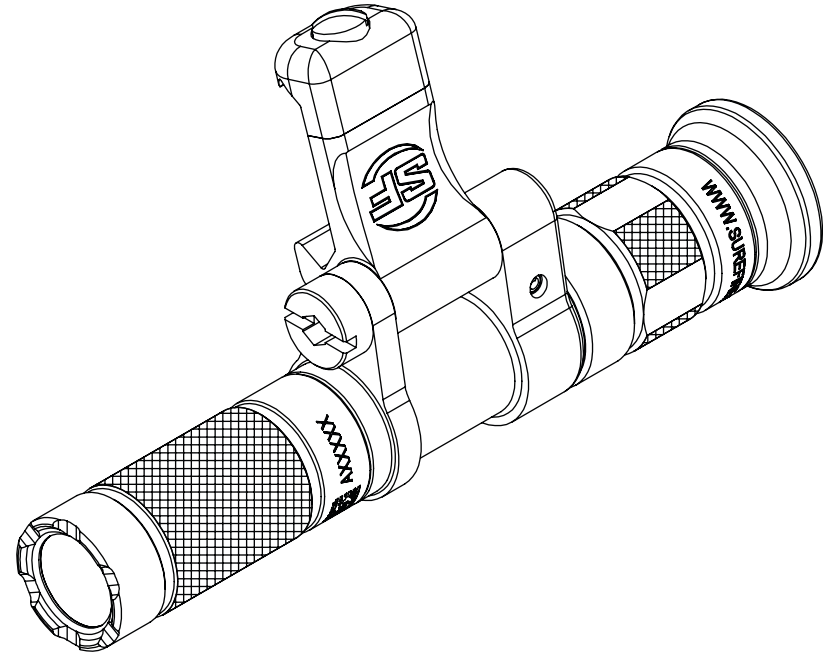
M140A-BK-PRO, M140A-TN-PRO



18300 MT. BALDY CIRCLE,  
FOUNTAIN VALLEY, CA 92708-6122  
SUREFIRE.COM



# MICRO SCOUT LIGHT® PRO USER MANUAL



SPECIFICATIONS		M140A-BK-PRO
OUTPUT		300 lumens
RUNTIME		1.25 hours
PEAK BEAM INTENSITY		1,045 candela
DISTANCE		65 meters
CONSTRUCTION		Aluminum
FINISH		Hard Anodized (MIL-A-8625 Type III, Class 2)
WEIGHT (w/batteries)		2.08 oz (59 g)
LENGTH		3.86 in (9.8 cm)
BEZEL DIAMETER		0.58 in (1.47 cm)
BATTERIES		One AAA, NiMH (incl.)
SWITCHING		Click tailcap

All performance claims tested to ANSI/NEMA FL1-2019 Standard.

USER MANUAL

# MICRO SCOUT LIGHT® PRO USER MANUAL

## ⚠ WARNING

ALWAYS confirm weapon is unloaded and on SAFE before attempting installation.

## ⚠ WARNING

Use of substandard batteries can cause injury or property damage. Visit [www.surefire.com/batterysafety](http://www.surefire.com/batterysafety).

### KIT CONTENTS:

- M140A Micro Scout Light PRO (Comes with M-1913-S-BK installed)
- M-MLOK-S Mount
- 1x AAA Rechargeable Nickel-Metal Hydride Battery (CH23 charger not included)
- 1/8 in. hex key

### MOUNTING TO WEAPON

#### M-1913-S:

1. Use a flathead screwdriver to loosen and open the M-1913-S mount clamp
2. Position the M140A onto the desired location of the host weapon's accessory rail
3. Use a flathead screwdriver to tighten the M-1913-S clamp screw
4. Using a torque wrench, tighten slotted screw to 12 in-lb. If a torque wrench is not available, hand tighten slotted clamp screw until snug and rotate an additional 1/4 turn

**M-MLOK-S:** Refer to included Magpul M-LOK installation instructions

### POSITIONING THE MICRO SCOUT LIGHT BODY

The Micro Scout Light body and supporting mount platforms are reversible. This allows for the Micro Scout Light to be mounted on either side of the rail mount. To switch from one side of the host weapon rail to the other:

1. Remove the Z93 shoulder screw to separate the body from the mount platform
2. Install mount platform with the pivot hole on the desired side of the host weapon rail
3. Attach the body to the mount platform and align the body and mount platform holes
4. Insert the shoulder screw through the holes of the body and mount platform
5. Tighten shoulder screw with enough tension to allow the body to pivot
6. Place the body in the desired position
7. Tighten shoulder screw to 5 in-lb to secure the body in place

### BATTERY INSTALLATION / REPLACEMENT

1. Remove the LED bezel or tailcap by unscrewing either counterclockwise and remove depleted battery
2. Insert fresh a AAA battery with the positive (+) terminal facing forward toward the bezel
3. Screw LED bezel clockwise until hand tight

*NOTE: The SFAAA-1100 factory battery is rechargeable. Do not discard.*

Optimal performance is best achieved using the SFAAA-1100. Lithium AAA batteries can also be used. Other types of batteries such as alkaline will provide less than half the output for approximately 15 minutes. Additional SFAAA-1100 batteries and the CH23 charger are available as accessories. Go to [www.surefire.com/partsaccessories](http://www.surefire.com/partsaccessories)

### LIGHT OPERATION

Partially depress pushbutton tailcap switch for momentary-on activation. To turn off, release the switch.

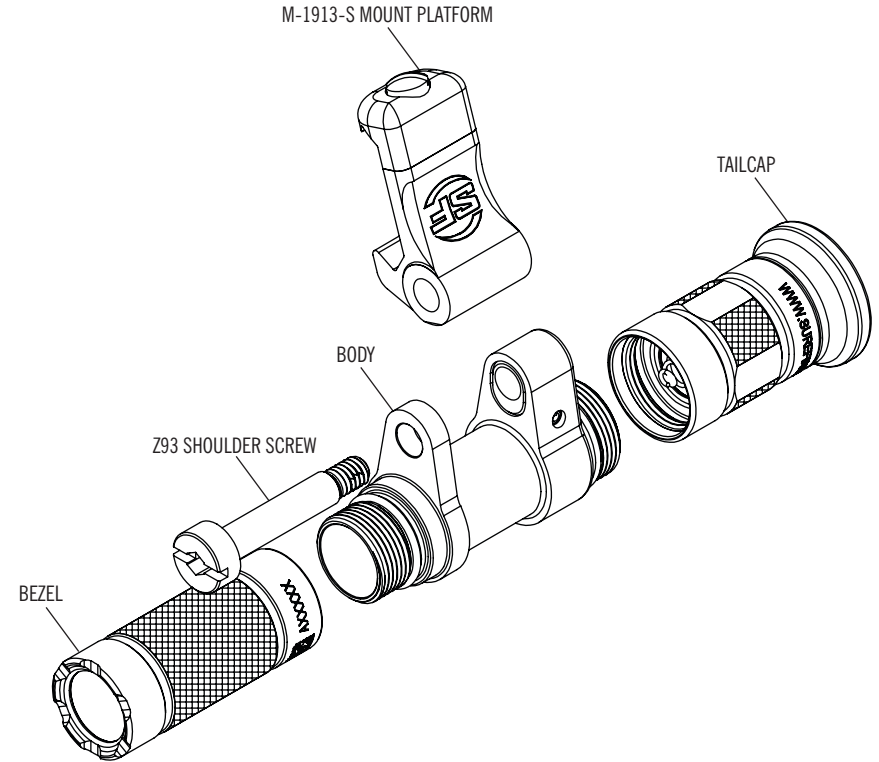
For constant-on activation, fully depress pushbutton tailcap switch until it clicks and release. To turn off, fully depress pushbutton tailcap switch until it clicks and release.

### LOCKOUT TAILCAP (US PAT. RE40125)

The M140A Scout Light Pro feature a lockout tailcap, which prevents accidental activation during storage or transport. The tailcap may need to be enabled prior to light operation.

To enable, rotate tailcap clockwise until it stops turning. Press pushbutton to activate light.

To lock out tailcap, rotate counterclockwise one full turn or until light will not activate when pressed.



### SFAAA-1100 BATTERY SPECIFICATIONS

TYPE	AAA
VOLTAGE	1.2 V
CERTIFICATION	WEEE
CHEMISTRY	Ni-Mh
CHARGE END VOLTAGE	1.5V
ENERGY	1.32Wh
RATED CAPACITY	1,100 mAh
STANDARD CHARGE RATE	100mA
FAST CHARGE RATE	1,000mA
WEIGHT	13g
DIMENSIONS	10.5x44.5 mm