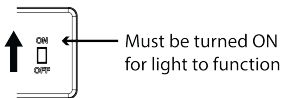


**INSTALLATION**

**1** Slide the switch to the "ON" position, located at the bottom of the unit.



**2** a) **UNIT NEEDS TO BE FULLY CHARGED BEFORE FIRST USE.**

Leave unit in direct sunlight to solar charge for 5-6 hours minimum.

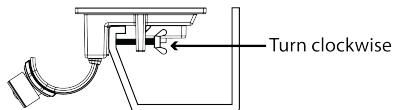
b) **AFTER UNIT HAS CHARGED, TEST UNIT LIGHTS TURN ON PRIOR TO INSTALLATION.**

In order to test the unit, the sunlight sensor must be blocked from light. Place cardboard or a solid surface over the entire solar panel or place unit in completely dark room.

**3** a) Place on gutter b) turn gutter clamp thumb screws clockwise to fully tighten and secure light to gutter.

**FOR OPTIMAL PERFORMANCE CHOOSE A LOCATION WITH MAXIMUM SUN EXPOSURE DURING THE DAY.**

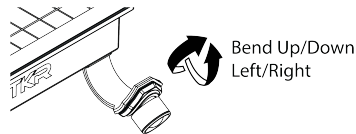
Battery will take longer to charge in shaded areas. **IF GUTTER GUARDS ARE INSTALLED, TRIM TO APPROPRIATE SIZE TO FIT UNIT.**



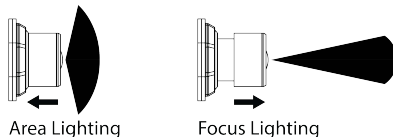
**4** Light will automatically turn on at night and will turn off during the day.

**ADJUSTING SPOTLIGHT** spotlight version only

**1** Adjust the light head to direct the light to desired location.



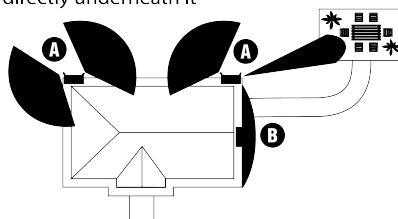
**2** Adjust focusing lens by sliding aluminum head to cast light at desired intensity and distance.



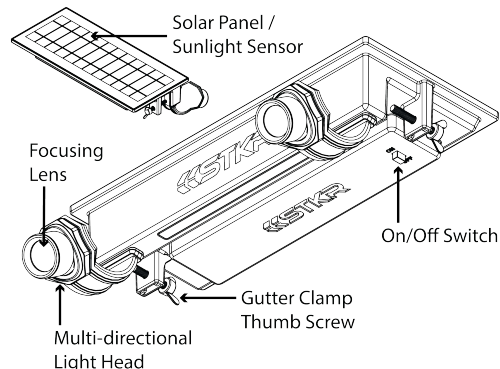
**PRO TIP**

**A** Place the Spotlight Version on the gutter at the corner of the house to aim one light down one side of the house/yard & the other light down another side of the house/yard

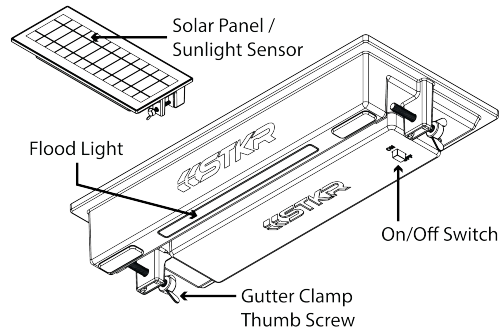
**B** Place the Flood Light Version to light areas directly underneath it



**A SPOTLIGHT VERSION**

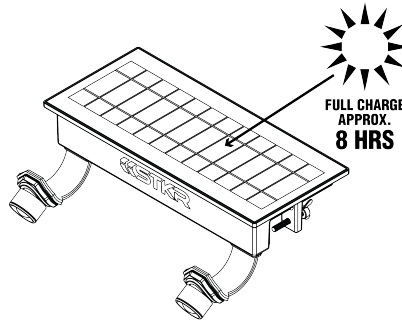


**B FLOOD LIGHT VERSION**



**SOLAR CHARGING**

- Fully charges from 0-100% in approx. 8 Hours in direct sunlight.
- Charge time will be longer in shaded areas and on cloudy days.
- Depending on location the solar panel may need to be periodically wiped clean of debris.

**TROUBLESHOOTING**

PROBLEM	CAUSE	SOLUTION
Light does not turn on	Not enough charge.	Make sure unit is installed where it can get maximum sun exposure for 8 hours.
	Switch is in OFF position.	Move the switch to the "ON" position
	Unit is located near a strong light source.	Make sure unit is installed away from any strong light sources, such as an existing outdoor light. Sunlight sensor is built into the solar panel, avoid strong light hitting solar panel.
	Unit is placed under trees.	Move the unit to another open location
	Solar panel is dirty, or covered up.	Wipe the solar panel clean and make sure it is always free of debris

**▲ LED SAFETY WARNING** This product contains high intensity LED devices. To prevent permanent eye damage, do not stare into the light beam at close range.

**SPECIFICATIONS****Version:** Spotlight**Model #** 14212**Product Size:** L10.4" x W6.4" x H2.5" / L26.5 x W16.2 x H6.4cm**Weight:** 1.26lb/570g (incl. battery)**Total Light Output:** 600 Total Max True-Lumens**Color Temperature:** 5400K (daylight white)**Runtime:** approx. 10 hours (fully charged)**Battery Type:** Rechargeable Li-ion battery 2x18650, 3.7V/2000mAh (Total 4000mAh)**Bulb Type:** SMD LED, Qty 2**Charge Time:** approx. 8 hours (in direct sunlight)**Weatherproof:** Yes**Version:** Flood Light**Model #** 14211**Product Size:** L10.4" x W6.4" x H2.5" / L26.5 x W16.2 x H6.4cm**Weight:** 1.06lb/480g (incl. battery)**Total Light Output:** 600 Total Max True-Lumens**Color Temperature:** 5400K (daylight white)**Runtime:** approx. 10 hours (fully charged)**Battery Type:** Rechargeable Li-ion battery 2x18650, 3.7V/2000mAh (Total 4000mAh)**Bulb Type:** COB LED, Qty 2**Charge Time:** approx. 8 hours (in direct sunlight)**Weatherproof:** Yes

EZ Home Security Solar Light  
STKR Concepts  
Troutman, NC 28166  
1 Year warranty

**DISCOVER MORE INNOVATIVE LIGHTING SOLUTIONS AT [STKRCONCEPTS.COM](http://STKRCONCEPTS.COM)**