

NCR2070C data sheet

Automotive & Industrial Systems Company of Panasonic Corporation

Rechargeable Battery Business Division, SANYO Electric Co., Ltd.

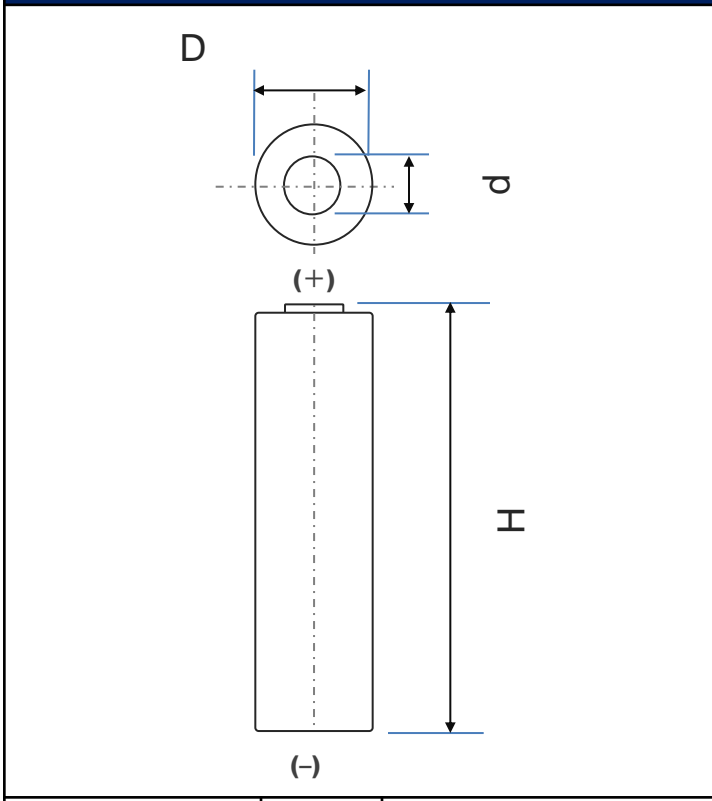
Specifications

Rated capacity ⁽¹⁾		3475mAh
Capacity ⁽²⁾	Minimum	3500mAh
	Typical	3620mAh
Nominal voltage		3.6V
Charging	Method	CC-CV
	Voltage	4.20V
	Current	Std. 2450mA
	Time	Std. 180min.
AC impedance	SOC : 50% (Typical value)	10mΩ
DC resistance	SOC : 50% (Typical value)	13mΩ
Weight (max.)		62.0g
Temperature	Charge	10 to +45° C
	Discharge	-20 to +60° C
	Storage	-20 to +50° C
Energy density ⁽³⁾	Volumetric	569 Wh/l
	Gravimetric	214 Wh/kg

⁽¹⁾ At 20° C ⁽²⁾ At 25° C

⁽³⁾ Energy density is calculated using bare cell dimensions (without tube).

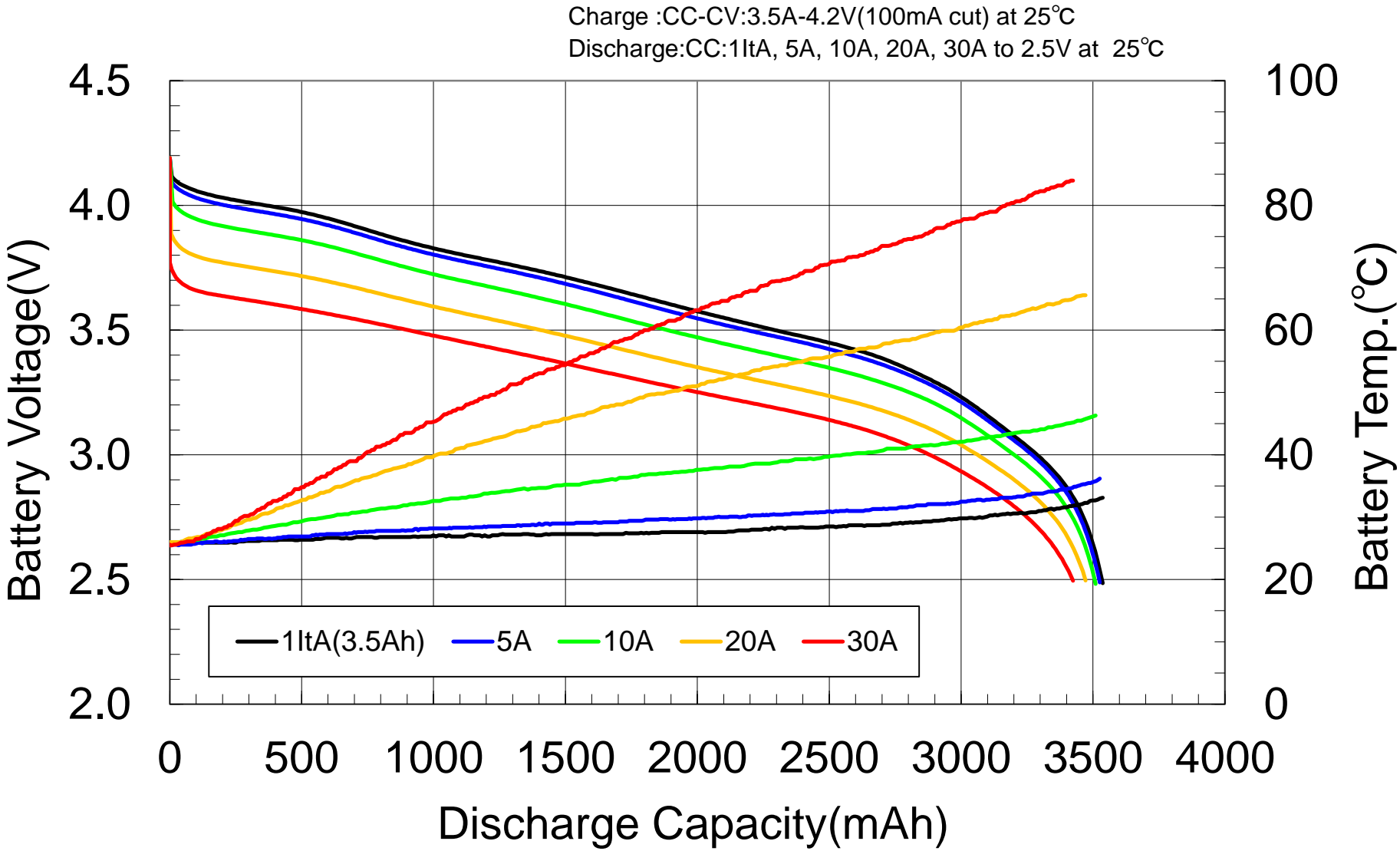
Dimensions



With tube	H	Max. 70.3mm
	D	Max. 20.4mm
	d	Max. 10.5mm

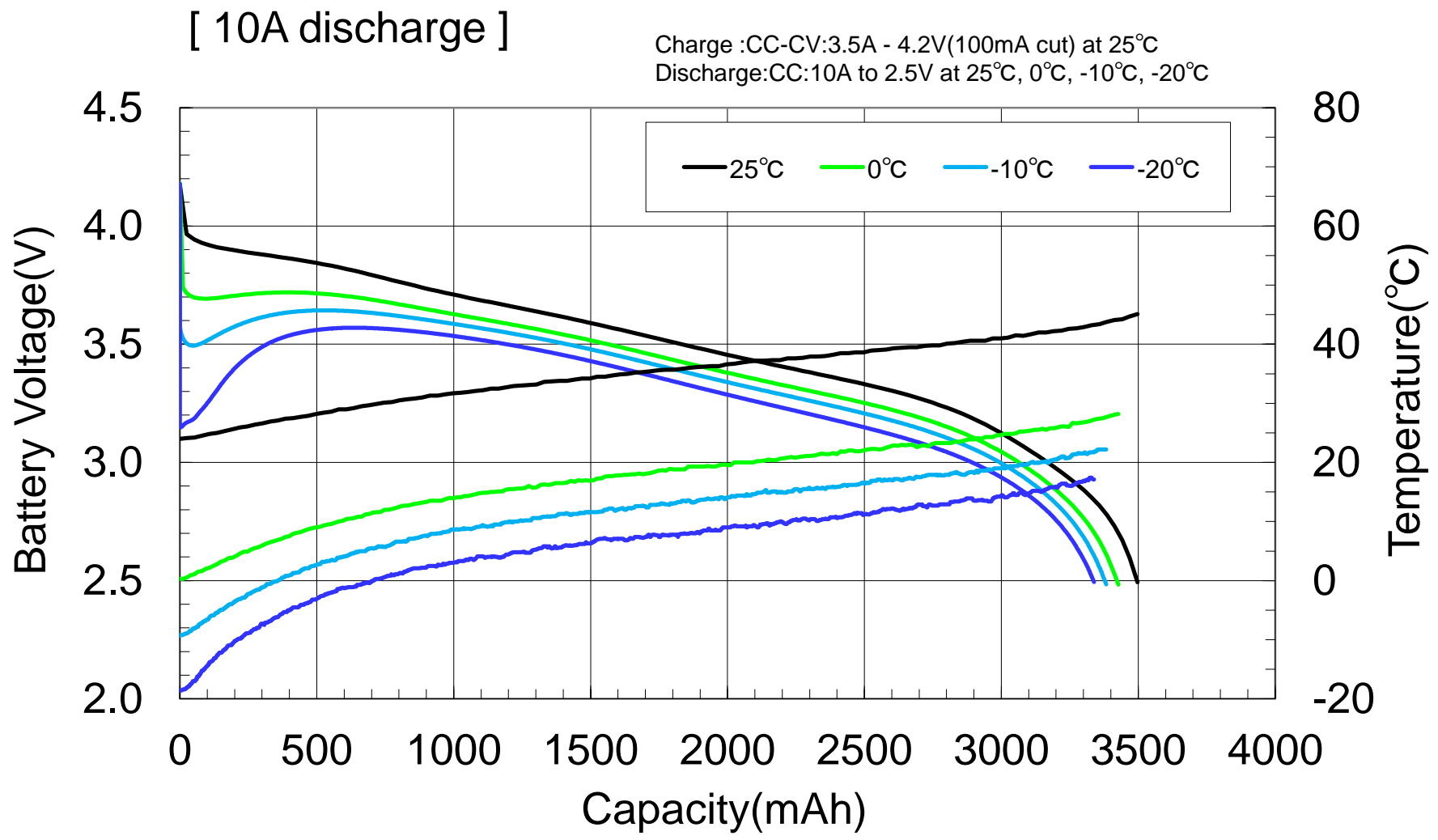
When designing a pack, refer to the cell's mechanical drawing for precise dimensions.

Discharge rate Characteristics for NCR2070C

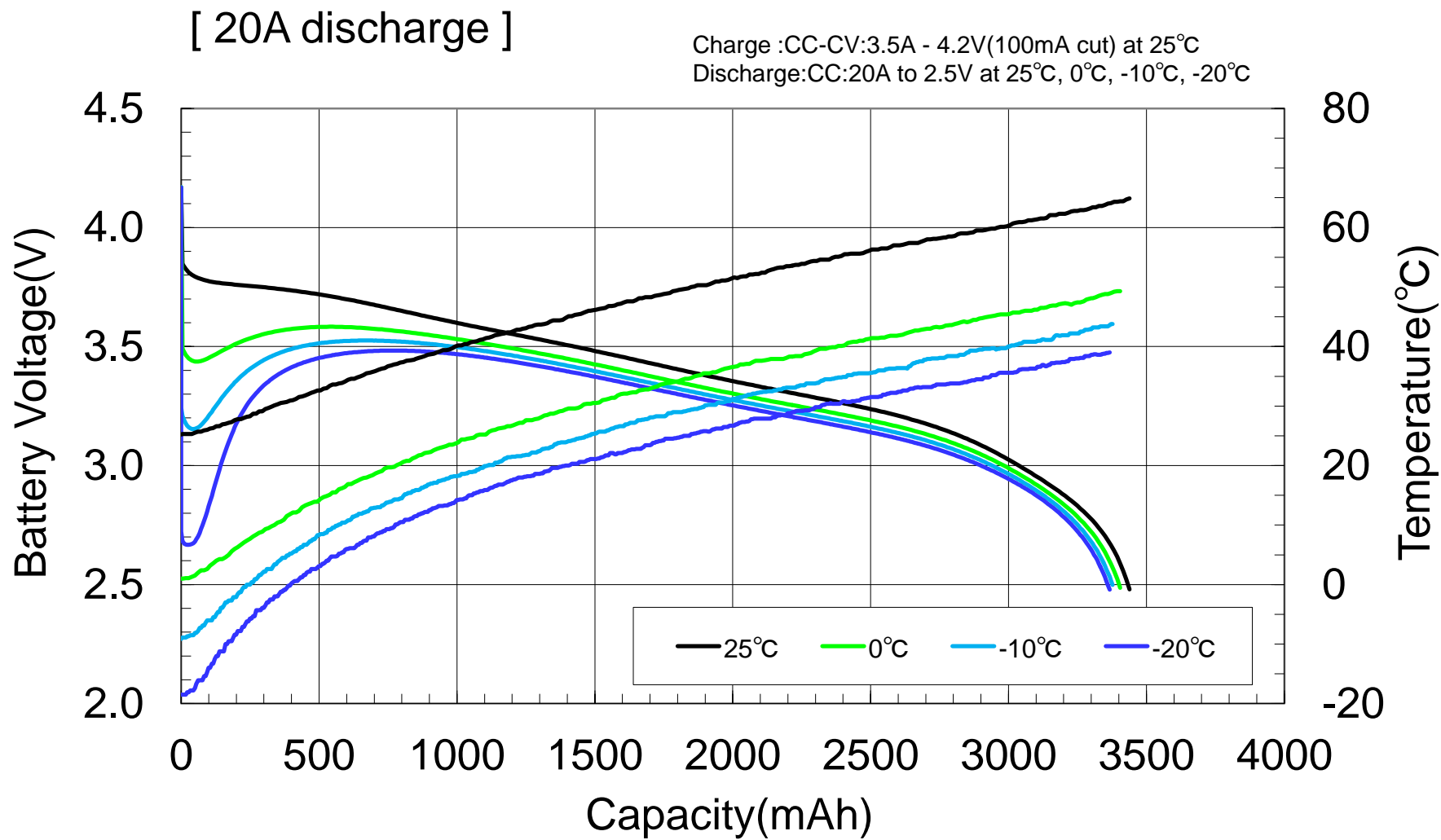


The data in this document is for descriptive purposes only and is not intended to make or imply any guarantee or warranty.
Copyright© SANYO Electric Co., Ltd. Panasonic Group All Rights Reserved 2016

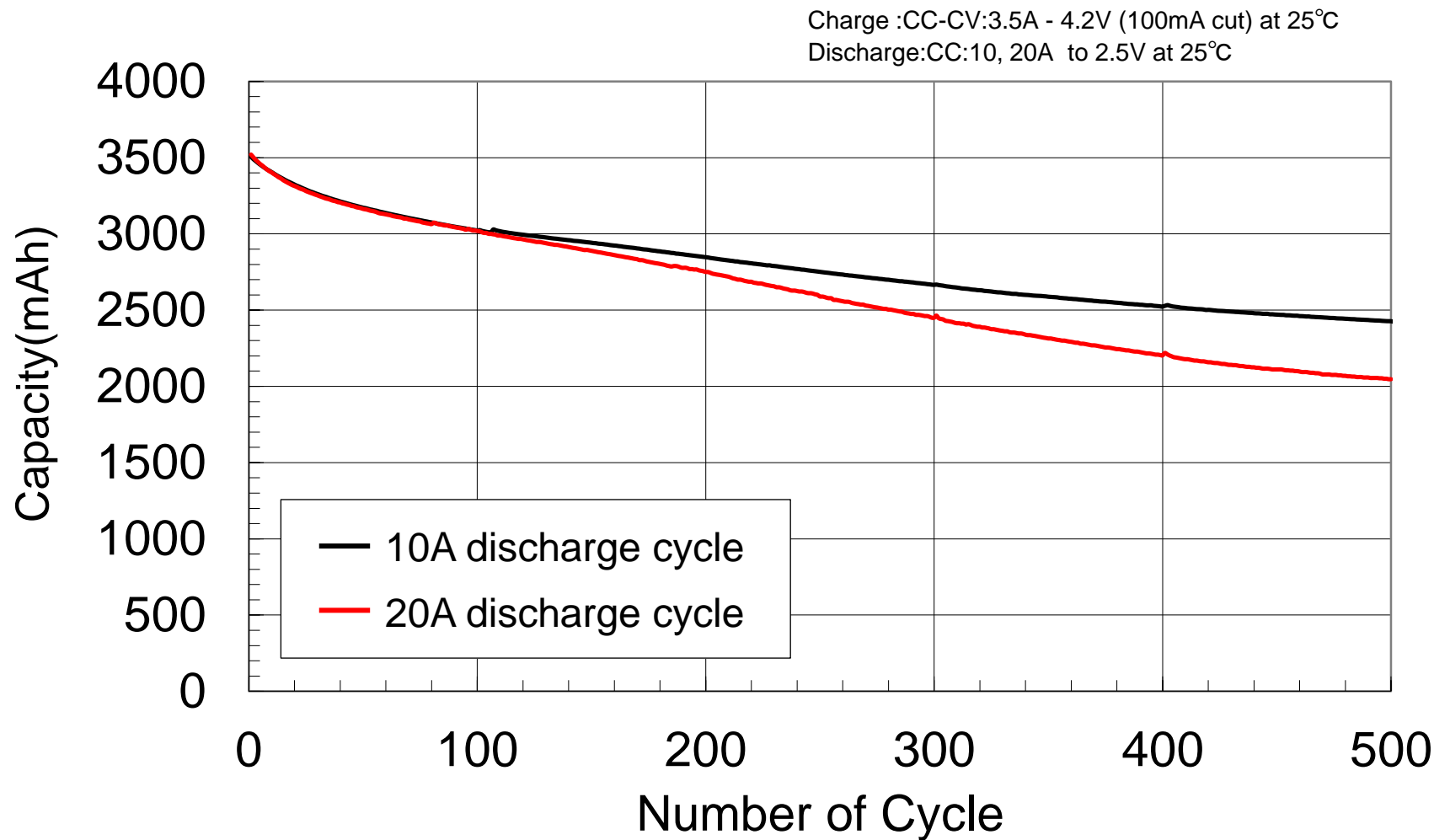
Low Temp. Characteristics for NCR2070C



The data in this document is for descriptive purposes only and is not intended to make or imply any guarantee or warranty.
Copyright© SANYO Electric Co., Ltd. Panasonic Group All Rights Reserved 2016



Cycle Characteristics for NCR2070C



A Better Life,
A Better World

Panasonic