

GL3 Pro Pistol Flashlight User Manual

Features

1. Made of aluminum alloy with hard anodization
2. CREE XP-L HI LED, max 700 lumens, with a smooth reflector, max 110m beam distance
3. Visible green laser ($\leq 5\text{mW}$ 520nm, passed IEC60825-1:2014)
4. USB-C rechargeable, uses Li-ion 16340 battery, compatible with CR123 batteries
5. Quick action dual-switch and Quick-switch change fast between Light, Laser, and Strobe.
6. Includes MIL-STD-1913 Picatinny rail adapter and GL rail adapter
7. IPX7 waterproof

Size: 74.3mm/2.93" (Length) * 50.3mm/1.98" (Height) * 26mm/1.02"(Light head diameter)

Weight: 110g/3.88oz

Operation

1. Off, wherever the Quick-switch is >> Press and hold either dual switch>> Momentary-on, release to turn off
2. Off, Quick-switch locates in the left >> Click either dual switch >> Green laser on >> Click >> Laser&Light on >> Click or press 0.3s >> turn off
3. Off, Quick-switch locates in the center >> Click either dual switch >> Strobe on >> Click or press 0.3s >> Turn off
4. Off, Quick-switch locates in the right >> Click either dual switch >> Light on >> Click or press 0.3s >> Turn off
5. Momentary-on >> Toss the Quick-switch to a different location >> the related mode Constant-on (For example, Assuming the quick-switch locates in the center when activating the Momentary-on from off, don't release the Dual switch and toss the Quick-switch to left, the green laser will be activated constantly)
6. Constant-on >> Toss the quick-switch >> Switch to the related mode fast and smoothly

Battery & Recharge

Before the first use, please remove the insulation sheet and fully charge the light.

- a) Included battery: 16340 650mAh
*Compatible with standard CR123 batteries but the output (brightness) may vary.
- b) Max runtime: 1 Hour (Light), 6 Hours (Laser)
- c) Recharge: USB-C (Charge 16340 batteries ONLY)
- d) Charge: 5V/1.2A, fully charged in 1.5 hours
- e) Charging: the indicator will breathe blue, and turn to solid blue after fully charged
- f) Low battery: 2.8V, the indicator will come on red to remind.

Warning

- b) DO NOT point the light or laser to human eyes or animal eyes
- c) DO NOT point the laser to the aircrafts
- d) DO NOT look into the emitters when it's turned on
- e) Put it AWAY from children's reach

Packaging Content

- a) GL3 Pro Flashlight x1
- b) 650mAh Li-ion battery x1 (Pre-install in the flashlight)
- c) USB-C charging cable x1
- d) MIL-STD-1913 Picatinny rail adapter x1
- e) GL rail adapter x1
- f) L-shape M2 Allen wrench x1
- g) Extra O-ring x1
- h) User manual x1
- i) Warranty card x1



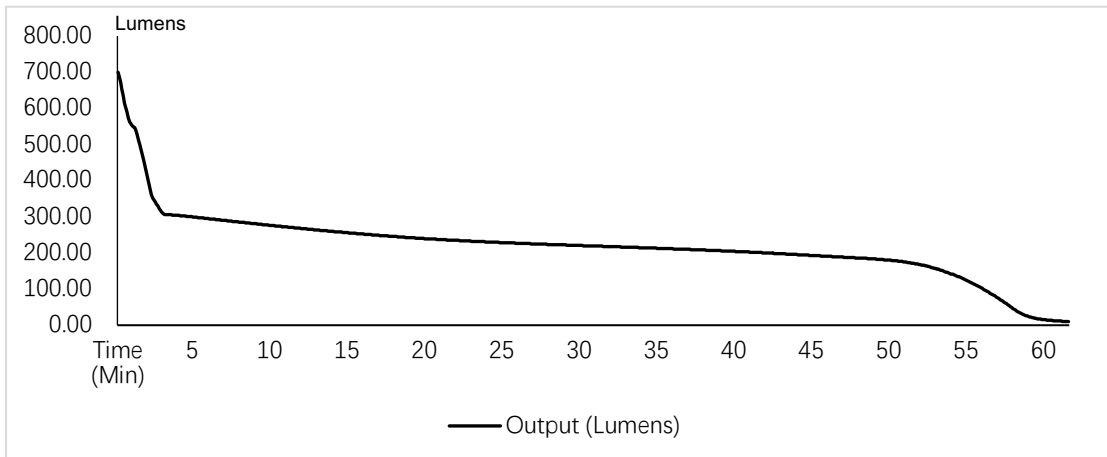
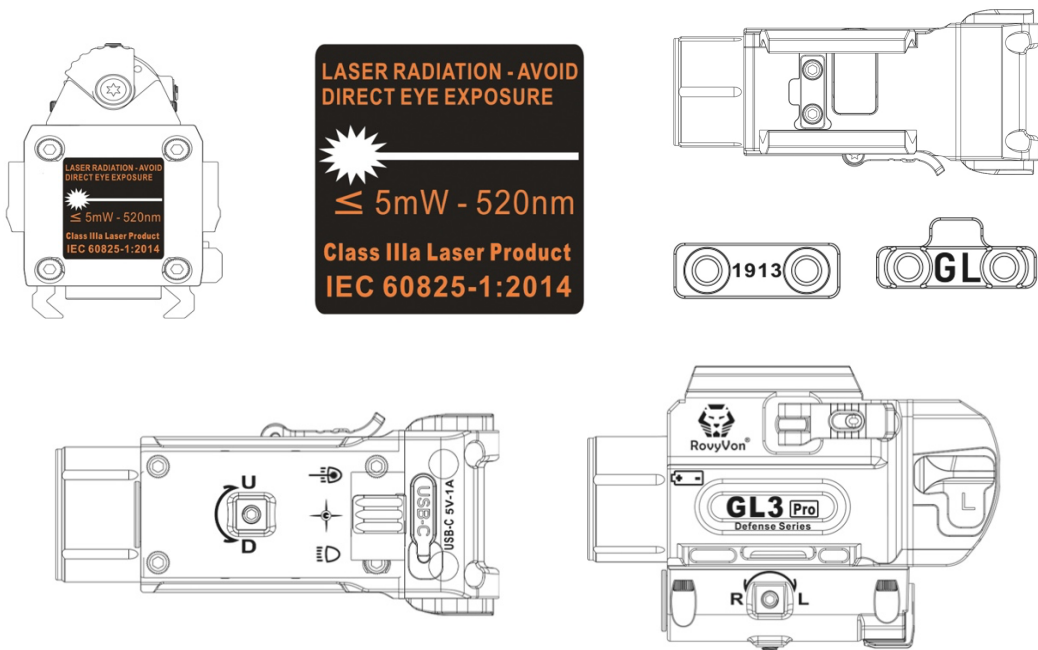
Specifications

	Light	Laser	Laser & Light	Strobe
Output/Power	700lm ^①	≤5mW	700lm ^①	/
Runtime	3mins + 1 Hour	6 Hours	/	/
Intensity	3000cd (max)			
Beam Distance	110m (max)			
Impact resistance	1.5m			
Waterproof ^②	IPX7			
Laser	IEC 60825-1:2014, Class IIIa Product			

*Parameters may vary from environment, battery, using method, and flashlight.

**To get best performance please use the original battery that comes with the flashlight.

- ① Stepdown to 300 lumens in 3 minutes while working at High mode
- ② The waterproof performance will get weaker by time as the O-rings aged



*Runtime tested until the output step down to 10 lumens.

