



North American Headquarters  
 601 Rayovac Drive  
 Madison, WI 53711  
 Telephone 1-800-331-4522  
 Internet [www.rayovac.com](http://www.rayovac.com)

Marketing Data Sheet - Batteries

S6600178  
 Issue I  
 Memo No: [MDSR0104](#)

Rayovac Stock Number: **AL-AA**

Name: **AL-AA (AA) INDUSTRIAL ALKALINE**

**ENGINEERING DATA:**

**Cell Chemistry:** Alkaline

**Designation:** ANSI/NEDA – 15AC (AA), IEC – LR6

**Nominal Voltage:** 1.5 volts

**Approximate Weight:** .8 Oz (22.9 grams)

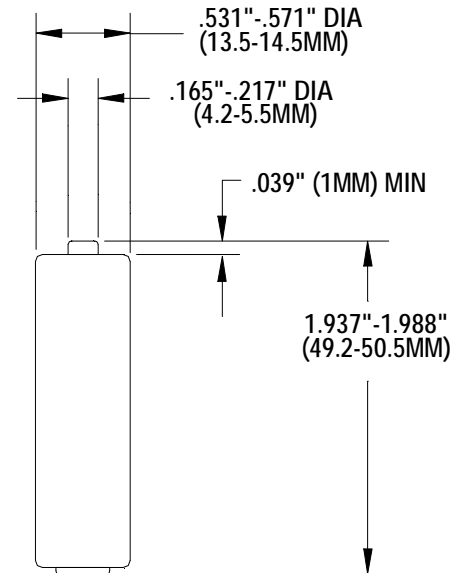
**Approximate Volume:** .48 CU IN (7.87 CU CM)

**Operating Temp. Range:** -30° C to 55° C (-20° F to 130° F)

**Terminals:** Flashlight

**Shell:** Plastic

**Environmental:** Meets Environmental Protection Agency (EPA)  
 Requirements For Landfill Disposal.  
 No Mercury Added Formulation  
[Rayovac Material Safety Sheets](#)



Dimensions shown are  
 ANSI / IEC standards

**TYPICAL INITIAL SERVICE AT 70°F (HOURS)  
 CUTOFF VOLTAGE**

APPLICATION DUTY CYCLE	LOAD (OHMS)	CURRENT (MA at 1.2V)	CUTOFF VOLTAGE					mAh CAPACITY To 0.9V
			1.2V	1.1V	1.0V	0.9V	0.8V	
RADIO (4 HRS/DAY)	43	28	62	71	82	89	-	2,588
CASSETTE (1 HR/DAY)	10	120	11.0	15.0	17.1	19.3	-	2,346
TOY/GAME (1 HR/DAY)	3.9	308	1.9	4.2	5.9	7.1	7.9	2,262
PHOTO (10 SEC/MIN-1 HR/DAY)	1.0A	1000			387 PULSES	508 PULSES		
DIGITAL STILL CAMERA (CONTINUOUS)	1.0A	1000			34.2 MINUTES	45.4 MINUTES		757
CD/MD/GAME (1 HR/DAY)	250 mA	250	3.6	6.4	7.4	8.2	-	2,050
REMOTE (15 SEC/MIN – 8 HR/DAY)	24 OHM	50			45.2			
SHAVER TEST (5 MIN/DAY)	3.9 OHM	308			5.7	6.5	-	1,982

**This data is subject to change. Performance information is typical. Contents herein do not constitute a warranty.**