



North American Headquarters
 601 Rayovac Drive
 Madison, WI 53711
 Telephone 1-800-331-4522
 Internet www.rayovac.com

Marketing Data Sheet - Batteries

S6600175
 Issue R
 Memo No: [MDSR0104](#)

Rayovac Stock Number: **824**

Name: **824 (AAA) ALKALINE**

ENGINEERING DATA:

Cell Chemistry: Alkaline

Designation: ANSI/NEDA – 24A (AAA), IEC – LR03

Nominal Voltage: 1.5 volts

Approximate Weight: .4 Oz (11 grams)

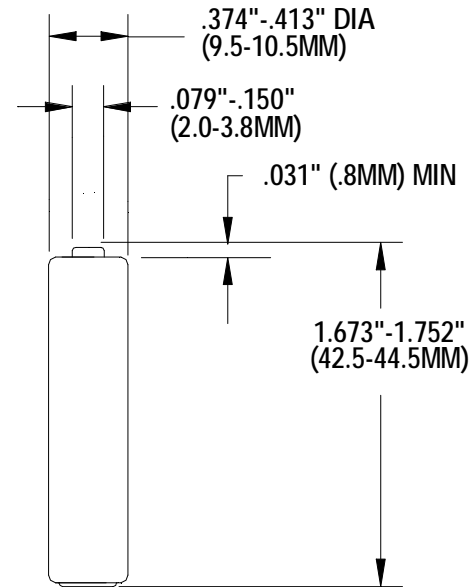
Approximate Volume: .2 CU IN (3.3 CU CM)

Operating Temp. Range: -30° C to 55° C (-20° F to 130° F)

Terminals: Flashlight

Shell: Plastic

Environmental: Meets Environmental Protection Agency (EPA)
 Requirements For Landfill Disposal.
 No Mercury Added Formulation
[Rayovac Material Safety Sheets](#)



Dimensions shown are
 ANSI / IEC standards

**TYPICAL INITIAL SERVICE AT 70°F (HOURS)
CUTOFF VOLTAGE**

APPLICATION DUTY CYCLE	LOAD (OHMS)	CURRENT (MA at 1.2V)	CUTOFF VOLTAGE				mAh CAPACITY To 0.9V
			1.2V	1.1V	1.0V	0.9V	
RADIO (4 HRS/DAY)	75	16	50	57	66	71	1,187
CASSETTE (1 HR/DAY)	10	120	3.8	6.5	7.8	8.8	1,040
FLASHLIGHT (4 MIN/HR-8 HR/DAY)	5.1	235	1.3	2.7	3.4	4.0	903
PHOTO (10 SEC/MIN- 1 HR DAY)	N/A	600			349 PULSES	473 PULSES	-
REMOTE CONTROL (15 SEC/MIN- 8 HR DAY)	24	50			22.5 HOURS		-
PAGER (10 SEC/HR-1.2 mA BACKGROUND)	N/A	120			628 PULSES		-

This data is subject to change. Performance information is typical. Contents herein do not constitute a warranty.