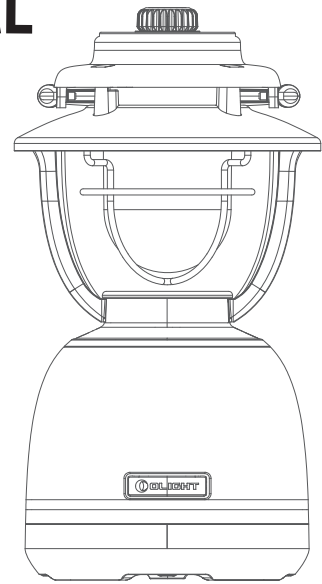


# USER MANUAL

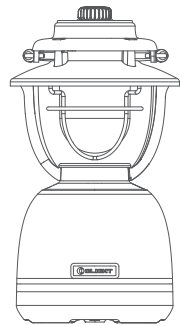
**OOLIGHT**



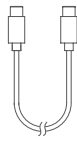
## Olantern Music

Light and Stereo Two-in-One Classic Camping Light

### IN THE BOX



Olantern Music



USB-C Charging Cable

### SPECIFICATIONS

**WHITE LIGHT MODE CCT: 5000~5500K**



**LOW 130 lumens 100%** 35h

**ORANGE LIGHT MODE CCT: 2000~2100K**



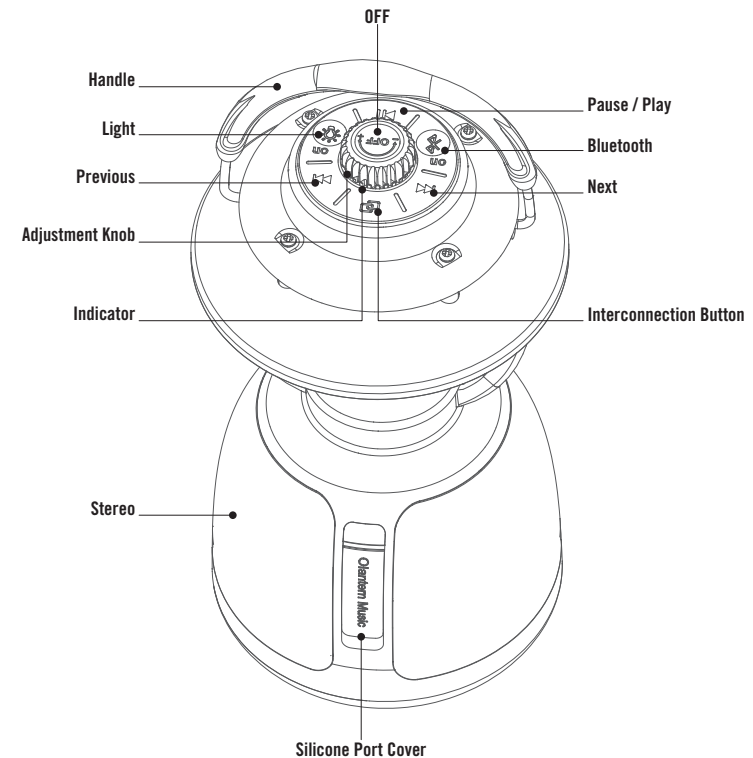
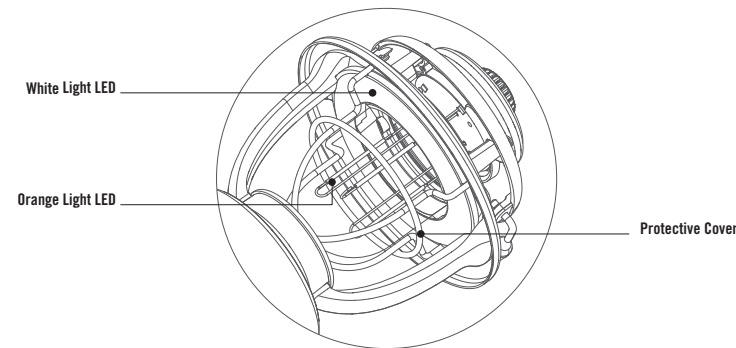
**HIGH 130 lumens 100%** 23h

**LOW 10 lumens 100%** 180h

	HIGH	LOW	
<b>White Light Mode</b>	14m	10m	
<b>Orange Light Mode</b>	10m	2m	
50cd	IPX5	0.8m	985g/34.74oz
(L)124*(D)230mm (L)4.88*(D)9.06in	Rechargeable Li-ion Battery 40.32Wh (1120mAh 3.6V)		

\* Above data are tested per ANSI/NEMA FL 1-2009 standard in Olight's labs for reference. The tests are performed indoors under a room temperature of 25 degrees celsius with windless conditions. The runtime may vary depending on the external temperature and ventilation conditions, and these biases may affect the results of testing.

### PRODUCT OVERVIEW

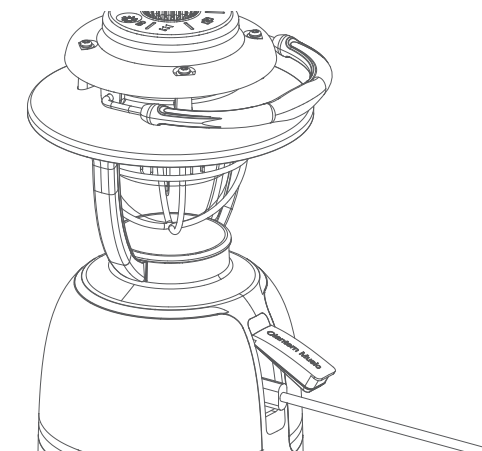


### CHARGING

The product was set to be in lockout mode before delivery. Please unlock and fully charge it before first use.

Connect the provided USB cable to a power with a Type-C interface (the power is not included in this product, you can use a USB power adapter or a power bank from your cell phone and digital products, and a USB power with a power of 18W (5V/3A, 9V/2A, 12V/1.5A) or more can provide the best charging efficiency), open the silicone dust plug that shields the USB-C charging port of the product, and then insert the other end of the cable into the USB-C charging port.

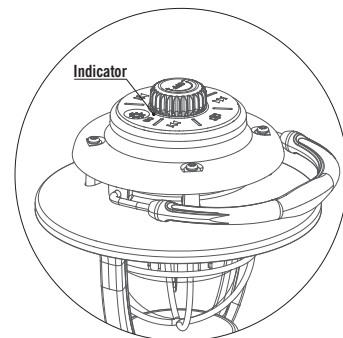
Red indicator means the charging is ongoing, and green indicator means it's fully charged (battery power is over 95%). It takes no more than 5 hours to fully charge the light.



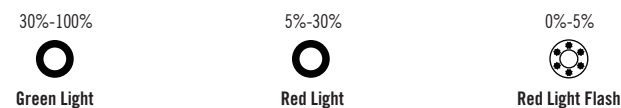
### NOTE:

1. Best charging efficiency with a 18W or higher-capacity power source.
2. The product will automatically unlock when it is connected to a charger and in lockout mode.

### BATTERY LEVEL INDICATOR



**While activated (Light/Stereo/USB Discharge/ Light+Audio):** the indicator ring will be on for 5S after any operation and will turn off after no operation.



**Charging state:** The indicator displays the remaining battery level. The indicator will turn off 5 minutes after charging has started. When charging, the indicator will be red and rotate clockwise. When charging is completed, the light will maintain green.



### HOW TO OPERATE

#### 2.1 KNOB (OFF):

- a. Turn off:** Long press the knob to turn off.
- b.** The knob is in the light brightness adjustment status at default. Single press to switch to volume adjustment function, if there's no volume adjustment operations within 3s, it will return to the light brightness adjustment status;
- c. Dimming:** A stepless dimming is adopted, the orange light becomes gradually the brightest from the lowest until the orange light is off but the white light is on at the lowest brightness, and you can continue to turn the knob until the white light is the brightest. Turn the knob anti-clockwise, the light mode and brightness are contrary to the above.
- d. Volume adjustment:** Stepless volume tuning is adopted. Turn the knob clockwise after pressing down the encoder, the volume will be increased to the highest from mute; turn the knob anti-clockwise, the volume will go in the opposite way. There will be a "beep" tone at the highest volume, and no prompt tone at the lowest. If there's no volume tuning operation within 3s, the knob will return to the light brightness adjustment status at default. You need to press the encoder button again to adjust the volume for the next time.

#### 2.2) Music play/pause button (▶||):

Single press to play, and single press to pause.

#### 2.3) Previous track (◀◀):

Single press to play the previous track.

#### 2.4) Next track (▶▶):

Single press to play the next track.

#### 2.5) Light On/Off Button (☼):

In the power-on state, single press the On/Rhythm mode/Off, the brightness before turning off will be stored. The rhythm mode cannot be activated if there's no Bluetooth connection.

#### 2.6) Bluetooth Button (📶):

- a.** Single press to start, connect to a memory connected device before turning off, and the volume is 10% at default. If the Bluetooth is disconnected due to long distance, it will enter the "Search" state, and reconnect automatically within 8Min.
- b.** If the Bluetooth is not connected, the white indicator flickers, the Bluetooth/on button icon is normally on after matching and a successful connection.
- c.** Long press the button to disconnect and enter the "Search" state after the Bluetooth is connected. Single press again to reconnect to the last connected device automatically.

#### 2.7) Interconnection Button (🔗):

**a. TWS Mode:** Single press Turn on/off the TWS mode (with prompt tones at on and off).

##### TWS Operation Method:

1. If the two earphones are not connected to the cell phone, press the interconnection button on either of them to start matching.
2. If one of the two earphones is connected to the cell phone, press the interconnection button on this earphone to start matching.
3. If the two earphones are matched and connected with the cell phone successfully, they will be reconnected to the phone automatically after re-power on.

Note: After the TWS is activated, if there's no match and successful connection, it will be deactivated automatically after 30s.

**b. Stereo Radio Mode:** This function supports 100+ stereo interconnection.

##### Operation Method:

1. Set the host: Connect any one of them to the cell phone, long press the interconnection button to enter the radio mode.
2. Sub-device connection: Long press the interconnection button to start matching.
3. Exit the radio mode: Long press the interconnection button on the host to exit all sub-device; long press the interconnection button on the sub-device to exit it only.
4. This function is deactivated automatically after power off. Single device mode is activated at default after power on again.

**Lock/Unlock:** Long press the light button for 2s to lock in the power-off state, long press again to unlock and start the light. (if there's a memory, the light brightness before turning off will be turned on, and if no, the orange light at the lowest brightness will be turned on).

### NOTES:

1. Light downshift: White light brightness will be reduced to 60% within 3min after 15min of high-brightness operation. When the battery power is less than 25%, the maximum brightness is 26% and 57% for white light and orange light, respectively.
2. Low power downshift, when the battery power is 25% (3.6V): The maximum brightness is 26% and 57% for white light and orange light, respectively. The maximum volume is restricted to 60%.
3. Quick charge/discharge function is deactivated in the operating state.



### DANGER

- DO NOT shine the light directly into human eyes. This may cause temporary blindness or permanent damage to the eyes.

### WARNING

- DO NOT store the product in the car or any place where the temperature may exceed 60 C.
- DO NOT place the product in any dusty environment. Otherwise, the dust may enter the rotary knob switch and cause it to malfunction.
- DO NOT disassemble the product.
- DO NOT immerse the product in seawater or other corrosive media to avoid damage to the product.
- Please prevent it from falling and handle it with care.
- Fully charge the battery before storing the light for a long period of time.

### NOTICE

- Please keep the product away from radios, as the PWM modulation of the rotary knob may cause noise to the radio signals.
- The vintage copper color is a result of aging craftsmanship. The uneven color is normal.
- Best charging efficiency with a 18W or higher-capacity power source.

### EXCLUSION CLAUSE

*Olight is not liable for damages or injuries sustained resulting from the usage of the product inconsistent with the warnings in the manual, including but not limited to using the product inconsistent with the recommended lockout mode.*

### WARRANTY

**Within 30 days of purchase:** Contact the original seller for repair or replacement.

**Within 2 years of purchase:** Contact Olight for repair or replacement.

This warranty does not cover normal wear and tear, modifications, misuse, disintegrations, negligence, accidents, improper maintenance, or repair by anyone other than an Authorized retailer or Olight itself.

**USA Customer Support:** cs@olightstore.com

**Global Customer Support:** contact@olightworld.com

Visit [www.olightworld.com](http://www.olightworld.com) to see our complete product line of portable illumination tools.

**OOLIGHT**

Dongguan Olight E-Commerce Technology Co., Ltd

4th Floor, Building 4, Kegu Industrial Park, No 6 Zhongnan Road, Changan Town, Dongguan City, Guangdong, China.

Made in China

