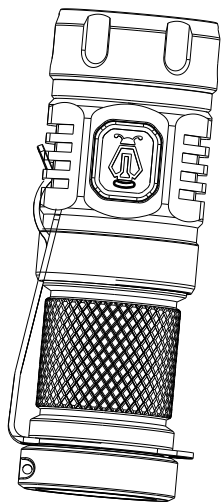


E20R



使用说明书

感谢您购买我们的产品!
www.jetbeamlight.com

产品特性

1. 多用于露营, EDC, 探险&搜救等户外活动;
2. 内置MICRO USB充电口并加装防水橡胶盖;
3. 使用LUMINUS SST40 LED灯珠, 最高990流明;
4. 使用数字化光学系统设计光杯, 射程高达185米;
5. 采用高效率数字化恒流电路, 高亮续航时间达1小时;
6. 新一代IC数字电路设计, LED与电池双重智能保护, 最大程度延长LED和电池使用寿命, 使用更安全;
7. 方形按键下内置有电量显示灯;
8. IPX-8防水标准(水下2米);
9. 1米的抗摔高度。

产品参数

LED: LUMINUS SST40 LED
最大输出: 990流明
反光杯: 精密金属反光杯
镜片: 钢化玻璃
筒身材质: 航天级铝合金
筒身处理: 军规三级硬质氧化灰色表面耐磨处理
使用电池: 1节16340电池/1节CR123A电池
开关: 侧按
长度: 76.45mm
头部直径: 26.7mm
尾部直径: 23mm
重量: 56.4克(不含电池)

选用电池

	尺寸规格	标称电压	是否可用
一次性锂电池	CR123A	3V	是(推荐使用)
16340锂电池	16340	3.7V	是(推荐使用)

亮度和时间

FL1 STANDARD	高亮	中亮	低亮	超低亮	爆闪
CR123A 16340	520 990	220 320	72 85	1.1 1	520 990
CR123A 16340	1h	3h	10h	100h	2h
16340 16340	0.5h	2h	10h	100h	1h
	185m				
	8800cd				
	1m				
	IPX-8(水下2m)				



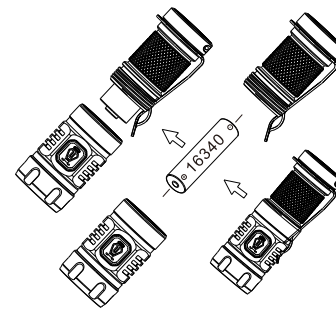
注:
1、以上数据是按照国际电筒测量标准ANSI/NEMA, FL1所诉之测量方法, 是使用1节JETBeam 3.7V 650mAh 16340可充电锂离子电池和CR123A电池在实验室内测量所得, 不同电池或使用环境可能会对以上数据产生影响;

2、手电在开启高亮档一段时间后会启用自降档功能, 防止过热并且有效保护LED寿命, 温度过高时手电开始缓慢降档, 直到亮度低于65%, 如果需要再用高亮档, 只需关闭再次打开开关即可;

3、本款手电有低电量测试功能, 当电池电量低于10%时, 会自动降到低亮档, 最大程度保护电池寿命。

操作方法

请按下图所示从包装中取出手电以及电池, 电池正极朝向手电头部(LED所在的一端)装入手电, 旋紧筒身。



警告

1. 请将电池按照正负极灯头方向放入, 反装电池电筒将不能工作。
2. 不能将光线直接照射眼睛, 以免对眼睛造成伤害。

开启&关闭

侧按短按开机, 开机后, 侧按长按关机。

档位切换

当手电开启后, 侧按短按调光, 档位从高-中-低-超低-高循环, 快速连接两下开启爆闪模式(任何档位时亦如此), 再次短按侧按两次关闭爆闪, 返回之前状态。

记忆功能

照明档带记忆功能, 一个档位的亮度在关闭前是什么档位, 再次打开时, 亮度为关闭前的档位; 爆闪档不带记忆功能。

充电功能

E20R有MICRO USB充电接口, 充电时, 按键下的指示LED慢闪; LED恒亮。显示电池充电电量饱和。

锁键与解锁

在未锁键及关机状态下, 按下侧按键3秒以上, 直至手电以低亮档闪烁, 松开进入锁定状态; 再次按下侧按键3秒以上, 手电解除锁定状态并以记忆档位点亮。

锁定状态下, 单击侧按键无效; 双击可进入爆闪, 单击侧按键调光, 关机后还是进入锁定状态。

保养电筒

请每半年使用软布清洁电筒的螺牙, 并使用硅润滑油润滑螺牙。

保固

JETBEAM® 产品拥有售后保固服务。在购买本产品的15天内, 如果有任何质量问题均可向经销商要求免费更换。在购买本产品的24个月内享受免费保固服务。在超过24个月免费保固期后, 本产品享有终身有限度保固服务, 如需要更换重要部件则需收取成本费用。

本保固规则不适用于以下情况:

1. 人为破坏, 拆解, 改装本产品。
2. 错误操作导致产品损坏(如装反电池等)。
3. 电池漏液导致产品损坏。

如需协助, JETBEAM® 敬请消费者首先联系购买产品的经销商或零售商, 以获得最迅速的售后服务或发邮件到 info@jetbeamlight.com。

备注: 产品数据如有更新, 敬请以JETBEAM官方网站为准。

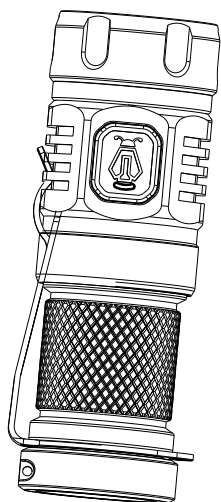
★ 仅限国内区域, 跨区销售将不予保修。

深圳市杰特明电子科技有限公司

咨询热线: +86-0755-28077748
销售邮箱: info@jetbeamlight.com
网 址: www.jetbeamlight.com
公司地址: 深圳市宝安区龙华大浪南路墩背工业区一栋
邮 编: 518109



E20R



Manual

Thank you for choosing our products!
www.jetbeamlight.com

LED: LUMINUS SST40

1. Mainly used for outdoor camping, EDC, adventuring, searching, rescuing, etc.
2. With built-in Micro USB port and equipped with waterproof rubber plug;
3. With Luminus SST40 Led, Maximum output up to 990 lumens;
4. Reflector designed by digital optical system, max beam distance up to 185 meters;
5. Adopt efficient digital constant current circuit, max runtime endures 1 hour;
6. A new generation design of IC digital circuit provides double intelligent protections for both LED and battery to prolong their lifespan and make much safer usage;
7. Power indicator is built under the side switch.
8. IPX-8 waterproof standard(2 meters under the water)
9. Within the impact resistance height of 1 meter.

Battery Choices

	Size	Nominal Voltage	Compatible
Disposable lithium battery	CR123A	3V	Yes(recommend)
Rechargeable lithium battery	16340	3.7V	Yes(recommend)

Specifications

LED: Luminus SST40
Maximum output: 990 lumens
Reflector: Coated metal reflector
Glass: Coated mineral glass
Body material: Aero grade aluminum alloy
Finish: HA III military grade hard-anodized

anti-abrasive finish of grey
Battery: 1*16340 / 1*CR123A
Switch: Side switch
Length: 76.45mm
Head diameter: 26.7mm
Tail diameter: 23mm
Weight: 56.4g (without batteries)

Accessories

For free: Spare O-ring, Clip, USB cable, lanyard, 16340 battery.

Output & Runtime

FL1 STANDARD	High	Middle	Low	Ultralow	Strobe
CR123A 16340	520 990	220 320	72 85	1.1 1	520 990
CR123A 16340	1h	3h	10h	100h	2h
16340 16340	0.5h	2h	10h	100h	1h
	185m				
	8800cd				
	1m				
	IPX-8(2m under the water)				



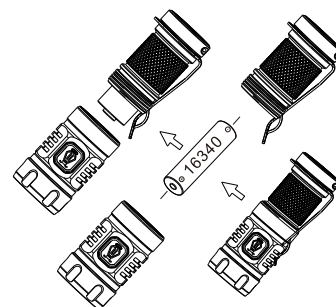
1. The above data complies with American National Standard Institute ANSI/NEMA F11 Standard. Data was obtained using 1 pc. Jetbeam 3.7V 16340 battery with 650 mAh capacity and CR123A Different data may result when using different batteries.

2. When the flashlight is run at maximum output, the flashlight body may become hot. In order to protect the flashlight's circuit and the LED chip, the flashlight will automatically step down to 65% brightness after 3 minutes in a smooth transition. If the power is cycled again (off->on), the flashlight will return to maximum brightness.
3. This flashlight has automatic power detection. If the battery has less than 10% capacity remaining, the flashlight will automatically step down to a lower brightness setting to preserve runtime and prevent battery overcharge. Max brightness may be disabled when battery capacity is extremely low.

Manual

Operation

Unscrew the battery compartment cap and insert the battery into the headlamp according to the illustration below. Ensure that the positive end of the battery is pointed toward the lamp then.



Warning

- *This flashlight will not turn-on if the battery's polarity is reversed
- *Do not shine the flashlight beam directly into eyes

ON/OFF Switching

keep short pressing the side to turn on, while long pressing to turn off.

Mode change

when flashlight is turn on, short press the switch can change the brightness mode, cycling by high>middle> low > ultra-low. double press the switch, into strobe mode, double press switch again back into normal brightness mode

Memory fuction

brightness mode have memory function, each time when flashlight is turned on, the brightness mode will be the latest brightness mode before the flashlight turn off.

Lock and Unlock

When the light is off in unlocked setting, hold the side button for 3 seconds till the flashlight blink and release, the light will access to lock setting. Hold the button again for 3 seconds, the light will be unlocked and stay in the last used output with memory function. Strobe has no memory function. When the light is in locked setting, the light will not work by short pressing the side button. But double clicking allows strobe and different outputs could be accessed by short pressing. When the light is turned off, it would still be in locked setting.

Charging function

This product has a MICRO USB charging interface. When charging, the side switch is turned on, and the LED Indicator light flashes; However, LED constant light indicates that the battery is charged to the state of saturation

Flashlight Maintenance

1. Remove the battery from the flashlight for long term storage.
2. Store flashlight away from sources of heat, static electricity, and high humidity.
3. Clean the flashlight with soft cloth. Lubricate the threads every 6 months.

Warranty

1. This product is disassembled or modified by anyone other than an authorized Jetbeam warranty technician.
2. This product is warranted for 24 months (2 years) from the date of purchase from defects in material and workmanship. After this period, repairs may incur a charge for parts and handling.

Warranty will be voided if

1. This product is disassembled or modified by anyone other than an authorized Jetbeam warranty technician.
2. This product is damaged by using the wrong battery or incorrect usage (such as reversing the polarity of the battery).
3. This product is damaged by defective batteries (such as battery leak)

Service

1. If warranty service is required, please contact your official Jetbeam dealer.
2. To contact Jetbeam, please use the following information:
Email: info@jetbeamlight.com
Phone: +86-0755-28077748
For latest update, please visit
www.jetbeamlight.com.

275X120mm 128g双铜, 单黑双面印刷, 风琴折