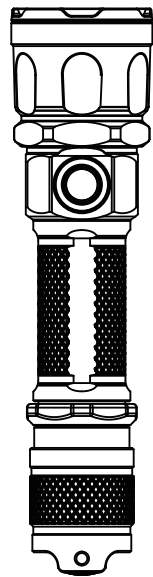


3Ms GUARDIAN TACTICAL HIT SERIES



使用说明书

感谢您购买我们的产品!
www.jetbeamlight.com

产品特征

- 专为军事行动、执法防卫、个人防卫、户外狩猎所设计
- 采用LUMINUS SST-70,寿命长达50000小时
- 使用1节21700锂电池驱动,最高可达2000流明,321米射程
- 兼容20700/18650电池,打破了电池选择的限制性
- U型尾部战术开关加颈部侧按开关,五档照明亮度和爆闪功能,一触即亮,带记忆功能
- 内置USB Type C充电接口
- 高效恒流电路,智能温控,最大程度保证使用安全及性能稳定
- 带电池电量检测功能,随时掌握电池剩余电量
- 防反接设计,防止电池反装对电路造成危害
- 双面镀膜防刮光学镜片
- 航空级铝合金制造
- 超耐磨军规三级硬质阳极氧化表面处理
- IPX-8防水(水下2米)
- 1米抗摔高度

产品参数

LED: LUMINUS SST-70
最大输出: 2000流明
反光杯:精密镜面反光杯
镜片:钢化玻璃
筒身材质:航空级铝合金
筒身处理:军规三级硬质氧化表面处理
使用电池: 1节21700/1节20700/1节18650电池
开关: U型尾部战术开关加颈部侧按开关
长度: 155.1mm
头部直径: 37mm
尾部直径: 27mm
重量: 136克(不含电池)

01

选用电池

	尺寸规格	标称电压	是否可用
可充电锂离子电池	21700	3.6V	是[推荐使用]
可充电锂离子电池	20700	3.6V	是
可充电锂离子电池	18650	3.7V	是

亮度与时间

FL1 STANDARD	极亮	高亮	中亮	低亮	节能	爆闪
	2000 流明	1100 流明	380 流明	85 流明	15 流明	2000 流明
	1.9h	2h	6.5h	25h	120h	/
	321m (最大射程)					
	25762cd (最大光强)					
	1M (防跌落高度)					
	IPX8 (水下2米)					

配件: 备用防水O圈, 手绳, 抱夹, 战术环, 手套, 开关尾帽
3.6V 5100mAh 21700锂电池



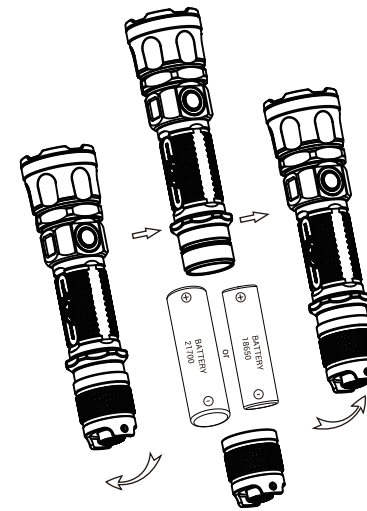
注: 以上数据是按照国际电测量标准ANSI/NEMA, F11所述之测量方法, 使用一节JETBeam 3.6V/5100mAh 21700锂电池在实验室内测量所得, 不同电池或使用环境可能会对以上数据产生影响。

02

操作方法

装入电池

1. 打开尾盖, 从包装取出手电以及电池
2. 电池正极朝向手电头部(LED所在的一端)装入手电
3. 旋紧尾盖



警告

1. 请将电池按照正负极灯头方向放入, 反装电池电筒将不能工作。
2. 不能将光线直接照射眼睛, 以免对眼睛造成伤害。

03

开/关机

按下尾部开关, 开启手电; 再次按下, 手电关闭。
轻触尾部开关, 一触即亮, 松手即灭。

档位切换

开机状态下, 单击侧按开关, 手电筒依次为(极亮 > 高亮 > 中亮 > 低亮 > 节能)的顺序调光。

爆闪

开机状态下, 长按侧按开关立即进入爆闪, 再次按下返回到爆闪前的档位。

记忆功能

照明档带记忆功能, 关闭前是什么档位, 再次打开时, 亮度为关闭前的档位; 爆闪档不带记忆功能。

电量显示

侧按键下载电量指示灯, 开机状态下实时显示电池剩余电量。

- 绿色指示灯常亮, 表示电量充足;
- 绿色指示灯闪烁, 表示电量不足;
- 红色指示灯闪烁, 表示电量严重不足。

充电功能

本品有Type-C充电接口, 最大输入5V 1A, 充电中, 侧按键下的红色LED指示灯闪烁; 绿色LED指示灯常亮, 表示电池充电结束。

智能温控

手电在极亮档工作下会产生大量的热量, 为有效延长LED寿命及防止外壳温度过高, 手电缓慢降低亮度, 维持到人体握感舒适的温度。

低压降档功能

在电池电量低时, 手电主动降档以延长工作时间, 直到减档到节能档, 当电池电量过低时, 手电关闭。

04

保养电筒

1. 长时间不用手电时请取出电池。
2. 保存手电时请远离有火和潮湿环境。
3. 请每半年使用软布清洁电筒的螺牙, 并使用硅润滑油润滑螺牙, 另请经常清洁手电的导电接触面/接触点。

保固

JETBEAM®产品拥有售后保固服务, 在购买本产品的15天内, 如果有任何质量问题均可向经销商要求免费更换。在购买本产品的60个月内享受免费保固服务。在超过60个月免费保固期后, 本产品享有终身有限度保固服务, 如需要更换重要部件则需要收取成本费用。

本保固规则不适用于以下情况:

1. 人为破坏, 拆解, 改装本产品;
2. 错误操作导致产品损坏(如装反电池等);
3. 电池漏液导致产品损坏;
4. 盐水或海水腐蚀导致产品损坏。

如需协助, JETBEAM® 敬请消费者首先联系购买产品的经销商或零售商, 以获得最迅速的售后服务或发邮件到 info@jetbeamlight.com。

备注: 产品数据如有更新, 敬请以JETBEAM官方网站为准。

★ 仅限国内区域, 跨区域销售将不予保修。

深圳市杰特明电子科技有限公司

咨询热线: +86-0755-27523445

销售邮箱: info@jetbeamlight.com

网 址: www.jetbeamlight.com

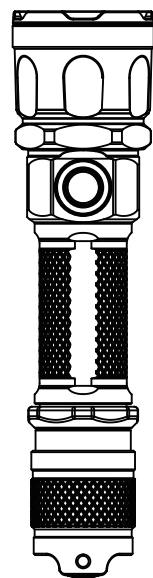
公司地址: 广东省深圳市龙华新区大浪南路墩背工业区
一栋三楼

邮 编: 518109



05

3Ms GUARDIAN TACTICAL HIT SERIES



Manual

Thank you for choosing our products!
www.jetbeamlight.com

Features

- Mainly designed for tactical activities, military use, law enforcement and outdoor use.
- Uses one LUMINUS SST-70 LED with a lifespan of 50,000 hours.
- Max output of 2000 lumens and throw distance of 321 meters.
- Powered by 1*21700 Li-ion battery, compatible with 1*20700 or 1*18650 battery.
- U-Sharp tactical tail switch and metal side switch, Five brightness levels and strobe available, with memory function.
- Built-in Type-C charging port.
- Digitally regulated circuit and intelligent temperature control system to optimize the performance and maximize LED lifespan.
- Low power indicator LED reminds the user of battery replacement and remaining power level.
- Reverse polarity protection to protect from improper battery installation.
- Toughened ultra-clear mineral glass with anti-reflective coating.
- Constructed from aero grade aluminum alloy.
- HAIII military grade hard-anodized finish.
- Waterproof rating: IPX-8 (2 meters under water).
- Impact resistance of 1 meter.

Specifications

LED: LUMINUS SST-70
Maximum output: 2000 lumens
Reflector: Orange reflector
Lens: Coated toughened glass
Body material: Aero grade aluminum alloy
Finish: HA III military grade hard-anodized
Battery: 1*21700/1*20700/1*18650 battery
Switch: Tactical tail switch and side switch
Length: 155.1mm
Head diameter: 37mm
Tail diameter: 27mm
Weight: 136g (without batteries)

01

Battery for Use

	Type	Nominal Voltage	Compatibility
Rechargeable Lithium battery	21700	3.6V	Yes(recommended)
Rechargeable Lithium battery	20700	3.6V	Yes
Rechargeable Lithium battery	18650	3.7V	Yes

Output & Runtime

FL1 STANDARD	Turbo	High	Middle	Low	Eco	Strobe
	2000 Lumens	1100 Lumens	380 Lumens	85 Lumens	15 Lumens	2000 Lumens
	1.9h	2h	6.5h	25h	120h	/
	321m (Max beam distance)					
	25762cd (Max Intensity)					
	1M (Impact Resistance)					
	IPX8 (Under Water 2m)					

Included for Free: O-ring, lanyard, clip, tactical ring, holster, rubber cap, 3.6V 5100mAh 21700 rechargeable Li-ion battery

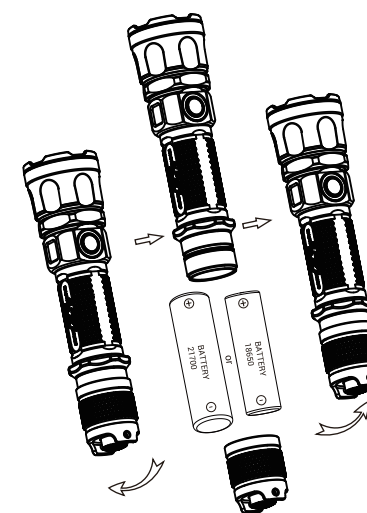


Note: The above data complies with American National Standard Institute ANSI/NEMA F11 Standard. Data was obtained by using one JETBeam 3.6V 5100mAh rechargeable 21700 battery in lab. Different data may result when using different batteries.

02

Operation of flashlight Insert the battery

1. Remove the tail cap and put battery inside.
2. The positive electrode of the battery towards the flashlight head (the end where the LED is located).
3. Cover tail cap back and fasten tightly.



Warning

1. The light can not work if the battery polarity is reversed
2. Do not shine the light beam directly into eyes.

03

ON/OFF

Full press the tail switch to turn on/off the light. Momentary on function is available by short pressing the tail switch.

Output switching

When the light is turned on, short press the side switch to change the brightness mode, cycling by Turbo→High→Middle→Low→ECO.

Strobe Mode

When the light is turned on, long press the side switch to access strobe, press the side switch again to access the last used output setting.

Memory Function

The light has a memory function. It will access the last used output setting when turning the light off and back on again. Strobe mode has no memory function.

Power Indicator

When the light is turned on, The LED beneath the side switch will indicate the battery level.
Stay in Green, battery powerfully charged;
Flash in Green, battery power is enough;
Flash in Red, battery power is low;
Keep in Red, battery power is extremely low and needs recharging.

Charging

Built-in Type-C charging port, Max input 5V 1A. In the charging process, the red LED under the side switch will flash, the green LED will be constant on when charging is completely done.

Intelligent Temperature Control

Prolong the lifespan of LED and light with intelligent temperature control design by stepping down the brightness automatically when light is too hot.

Low Voltage Brightness Adjustment

When the battery is low, the flashlight will automatically adjust the brightness level to a lower level to extend working time. The flashlight will be turned off when the battery is too low.

04

Light Maintenance

1. Take the battery out for storage if light will not be used for a long time
2. Keep the light away from heat, static electricity, and high humidity
3. Clean the thread and conductive contact of light with soft cloth. Lubricate the threads every 6 months

Warranty

We provide 60 months (5 years) of warranty period for this product from the date of purchase in case defects caused by material or workmanship with normal use. Necessary material and labor cost will be charged after this period

Free warranty does not cover any damages or failure if:

1. This product is disassembled or modified by anyone other than an authorized JETBeam warranty technician.
2. This product is damaged by using the wrong battery or incorrect usage.
3. This product is damaged by defective batteries (such as battery leak).
4. Salt water and corrosive damage to the unit.

Service

1. In need of warranty service, please contact your local official JETBeam dealer
2. To contact JETBeam, please refer to below information:
Email: info@jetbeamlight.com
Phone: +86-0755-27523445
For the latest update, please visit
www.jetbeamlight.com

05

330X120mm 128g双铜, 单黑双面印刷, 风琴折