

M20

USER MANUAL

Professional Tactical Flashlight
Ultra brightness of 3000lms

Features

- Utilizes 1*High Performance LED with a max output of 3,000 lumens
- AR coated & tempered resists impact glass in high light transmittance
- Max peak beam intensity of 15587cd, and Max beam distance to 250m
- Designed 3-way tailcap switches for tactical and daily mode
- 4 brightness modes(Turbo,High,Medium,Low) and 2 special modes (Strobe&SOS)
- USB-C port for recharging
- Built-in power indicator to display the power status clearly
- Patented dual-key design for Strobe mode to enter the Strobe quickly
- Military HA III grade hard anodized finish for extreme durability
- IP68 Waterproof and dustproof rating

M20 Data

Mode	Turbo	High	Medium	ECO	Strobe	SOS
OUTPUT	3000LM	850LM	180LM	13LM	3000LM	150LM
RUNTIME	2.7h	6h	17h	110h	/	/
INTENSITY	15,587cd					
DISTANCE	250m					
WATERPROOF	IP68					
IMPACT RESISTANCE	1m					

Note: all datas above were generated in Fitorch lab. Differences may happen basing on usage and conditions.

Specification

- LED: 1*high performance white LED
- Working voltage: 2.8V-4.2V
- Light output: Max 3,000 lumens
- Reflector: precise metal filmed
- Glass: AR coated mineral glass
- Material : HA-III military hard-anodized finish aluminum alloy
- Housing: Premium Type III hard-anodized anti-abrasive finish of black
- Switch: Tailcap Switch
- Powered: 1* 3.7V 18650
- Size: head: Ø 1.03 inch/ Ø26.1mm, housing: Ø 1.0 inch /Ø25.4mm, Length:5.13 inch/130.3mm
- Weight: 3.11 Ounces/88.3g (exclude battery)

Operating Instructions

- On/Off**
Press the center tailcap switch to turn on the light, and then press the switch again to turn off the light.
- Tactical On**
Half press the center tailcap switch to activate the tactical Turbo mode silently, and release the switch to turn off the light.
- Mode Change**
Press the center tailcap switch and then click 1 of 2 small switches to cycle through Turbo-High-Medium-Low-SOS-Turbo-High-Medium-Low
- Strobe**
When power off, click any small switch to activate the Strobe quickly. Hold any small switch for 2S to lock the Strobe mode constantly.

When power on, hold any small switch for 0.5s to activate the Strobe.

- Power Detection**
Turn on the light, the built-in indicator on the head will show the battery power status in different colors.
Green: 70%-100%
Orange: 30%-70%
Red: 10%-30%
Red flash: <10%
- Charging**
Indicator is red during charging, and then change to green when the battery is full.
The medium and low mode can be used during charging.

Warnings

- Please use Fitorch RC260 for this light.
- Don't look into the light. May be dangerous for your eyes.
- The light will accumulate a lot of heat when used for extended periods, resulting in a high temperature of the light housing. Pay attention to safe use to avoid scalding.
- Do not shine the light to an object at close range to avoid burning the object or causing danger due to high temperature.
- When the battery power is less than 10%, please stop using the light and recharge the battery in time to avoid any damage.
- When the product is kept in a backpack or left unused for prolonged time, please remove all batteries to prevent accidental activation or battery leakage.
- Do not submerge the light into any liquid when it is hot. It may cause irreparable damage to the light due to the difference of air pressure inside and outside of the tube.

Warranty

- Any defective happened on Fitorch product within 15 days after purchase date, you can exchange it for a replacement through the local distributors or dealers.
- For functional defect under normal using, we provide 60 months(5 years) warranty for free after purchase date, over 60 months, only collect the cost of main parts for replacement.

Unwarrantable

- Damage, destruction, disassembly, reconstruct and unauthorized modify on purpose.
- Damage for batteries leakage.
- Any improper use that does not comply with the requirements of this specification.

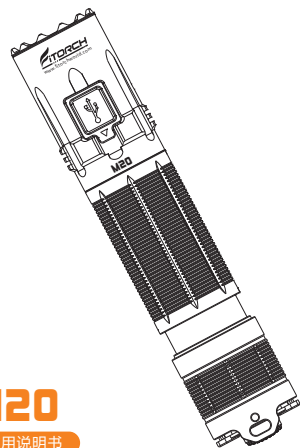


Facebook



Website

ShenZhen Fitorch Electronics Technology Co., Ltd
Office Address: 2F, Building 2, 3rd Industrial Zone, Longhua St, Longhua District, ShenZhen City, 518109, China
Tel: +86-755-2101-3606
Web: www.fitorchworld.com
E-mail: Info@fitorchworld.com



M20

使用说明书

专业战术手电筒
超高亮3,000lms

特点

- 使用单颗高性能白色优质灯珠，最高亮度可达 3,000流明
- 使用AR 镀膜高透光率镜片，耐磨，防反光
- 光强最高可达15587cd, 射程最高可达250m
- 独特设计的三尾按开关让战术反应更敏捷
- 4档照明模式(极亮,高亮,中亮,低亮), 2档特殊模式 (暴闪 &SOS)
- USB-C充电方式
- 内置电量指示灯, 开机即显示当前电量
- 专利性尾部双战术开关, 快速进入暴闪模式
- 军用三级硬氧, 耐磨, 防刮擦
- IP68级防水防尘

M20数据

模式	极亮	高亮	中亮	低亮	暴闪	SOS
输出	3000LM	850LM	180LM	13LM	3000LM	150LM
续航	2.7h	6h	17h	110h	/	/
光强	15,587cd					
射程	250m					
防水等级	IP68					
防跌落	1m					

注：以上所有数据都是在Fitorch实验室生成的。不同使用情况和条件，可能会出现差异。

规格

- 灯珠: 1* 高性能白色优质灯珠
- 工作电压: 2.8V-4.2V
- 最大输出: 3,000 流明
- 光杯: 金属光杯
- 镜片: AR镀膜镜片
- 材料: 铝合金, 军用三级硬氧
- 开关: 尾按开关
- 电池: 1* 3.7V 18650
- 尺寸:头: Ø 1.03 inch/ Ø26.1mm, 身: Ø 1.0 inch /Ø25.4mm, 长:5.13 inch/ 130.3mm
- 净重: 3.11 Ounces/88.3g (不含电池)

操作说明

- 开/关**
按下尾部中间开关点亮手电筒，再按一次熄灭。
- 战术点亮**
半按中间开关可以使“极亮”档无声点亮，松手后熄灭
- 换档**
点亮手电筒，然后单击任一小开关可进入以下循环：
极亮-高亮-中亮-低亮-SOS-极亮-高亮-中亮-低亮
- 暴闪**
手电筒熄灭时，轻按任一小开关进入暴闪模式，按住2s以上可以持续暴闪模式；
手电筒点亮时，按住任一小开关0.5s以上进入暴闪模式。

电量检测

- 点亮手电，内置指示灯会用不同颜色来显示电池现有电量
绿色: 70%-100%
橙色: 30%-70%
红色: 10%-30%
红色闪烁: <10%

充电

- 充电时，指示灯显示红色，充满电后，指示灯显示绿色。充电过程中可以使用中亮及低亮模式。

警告

- 请使用Fitorch RC260给此手电筒供电。
- 不要直视手电筒的光，以免对眼睛造成伤害。
- 长时间使用手电筒会造成手电筒外壳发热，请注意以避免烫伤。
- 不要将此手电筒的光束长时间、近距离对准某物体，以避免给该物体造成损伤，或是引起火灾。
- 当电量低于10%，请停止使用，并及时充电以避免电池损坏。
- 如手电筒放在背包或空间狭小的地方长时间不使用，请移除电池以免误触发或电池漏液。
- 在手电筒发热时不要将其放入液体中，以免手电筒内外的温度差导致手电筒损坏。

售后

- 自购买日15天内如发现有任何问题，可以与当地的Fitorch经销商联系更换。
- 正常使用情况下发生功能性问题，我们提供5年（60月）的免费保修期。

本保固服务不适用以下情况

- 人为破坏、拆解及改装本产品。
- 未按本说明书指示操作导致产品损坏。
- 电池漏液导致产品损坏。
- 撞击或跌落致本产品损坏。
- 产品进水或因异物进入导致本产品损坏。

此售后政策仅适用于产品原始拥有者，对于转卖、盗窃、改装或未经授权的的不合理使用不适用，也不包含本产品相关的配件、包装等。



Facebook



网站

深圳市朗铂电子科技有限公司
地址：深圳市龙华区龙华街道龙峰一路第三工业区2栋2楼
电话：+86-755-2101-3606
网址：www.fitorchworld.com
E-mail: Info@fitorchworld.com



说明：

1.展开尺寸为360*90mm 折后尺寸为60*90mm

2.印刷:橙色+黑色两色双面印刷

3.材质:128G铜版纸