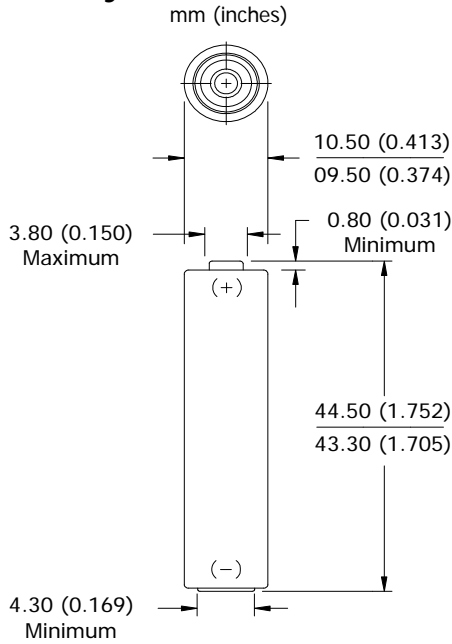


**ENERGIZER EA92**  
Advanced Lithium

**AAA**



**Industry Standard Dimensions**



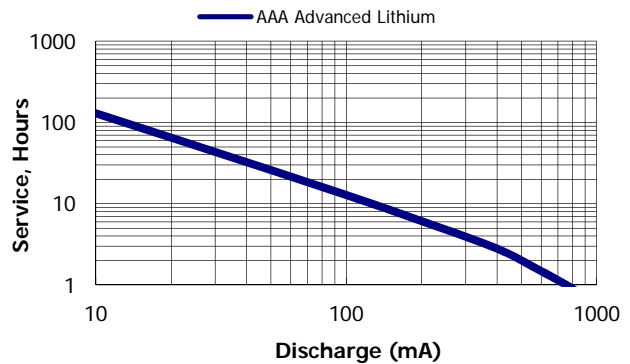
**Specifications**

<b>Classification:</b>	"Cylindrical Lithium"
<b>Chemical System:</b>	Lithium/Iron Disulfide (Li/FeS <sub>2</sub> )
<b>Designation:</b>	ANSI 24-LF, IEC-FR03
<b>Nominal Voltage:</b>	1.5 Volts
<b>Typical Weight:</b>	7.6 grams (0.3 oz.)
<b>Typical Volume:</b>	3.8 cubic centimeters (0.2 cubic inch)
<b>Max Discharge:</b>	1.0 Amps Continuous
(single battery only)	1.5 Amps Pulse (2 sec on / 8 sec off)
<b>Typical Li Content:</b>	0.5 grams (0.02 oz.)
<b>Typical IR:</b>	170 to 210 milliohms*
<b>Shelf Life:</b>	10 years at 21°C (80% of rated capacity)
<b>Transportation:</b>	For complete details, please reference:
Global (except US):	Special Provision A45 of the International Air Transport Association Dangerous Goods Regulations
United States:	49 CFR 173.185

\* For additional information, please reference the [IR technical white paper](#).

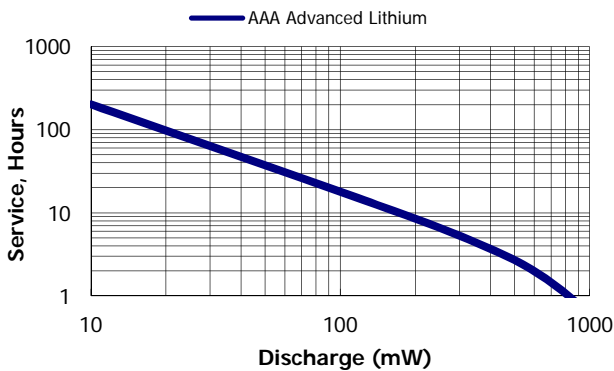
**Constant Current Performance**

Typical Characteristics to 1.0 Volts at 21°C



**Constant Power Performance**

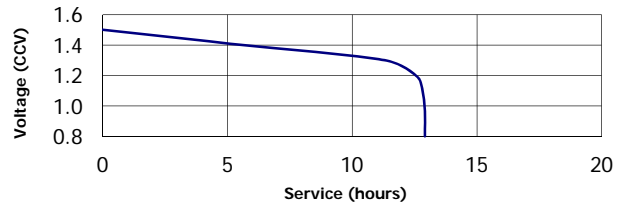
Typical Characteristics to 1.0 Volts at 21°C



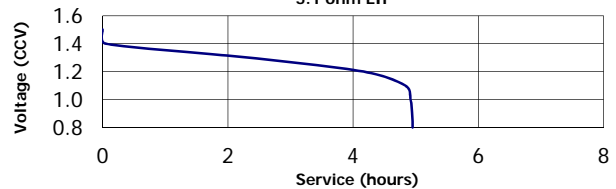
**Application Tests**

Typical Characteristics at 21°C

TAPE / ELECTRONIC GAME / DIGITAL AUDIO  
100 mA 1 hr/day



PORTABLE LIGHTING  
5.1 ohm LIF



**Important Notice**

This datasheet contains typical information specific to products manufactured at the time of its publication.  
©Energizer Holdings, Inc. - Contents herein do not constitute a warranty.