

# ENERGIZER CR2025

# Lithium Coin

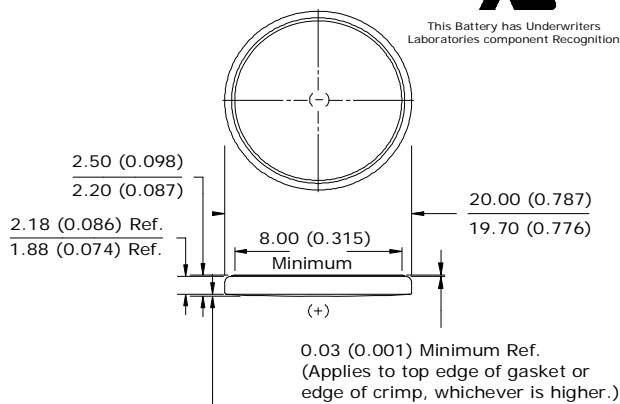


## Industry Standard Dimensions

mm (inches)



This Battery has Underwriters Laboratories component Recognition



0.20 (0.008) Maximum Ref.  
Permissible deflection from a flat.

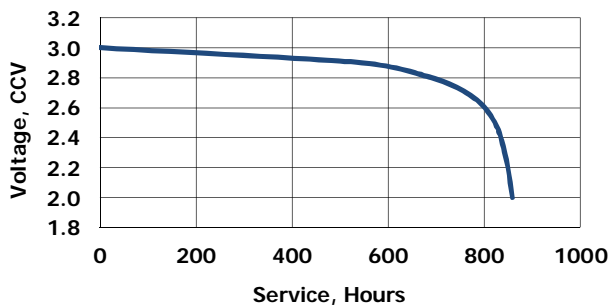
## Simulated Application test

Typical Performance at 21°C (70°F)

Schedule:	Typical Drains: at 2.9V (mA)	Load (ohms)	Cutoff 2.0V (hours)
Continuous	0.193	15,000	845

## Typical Discharge Characteristics

Load: 15K ohms - Continuous  
Typical Drain @ 2.9V: 0.193 mA

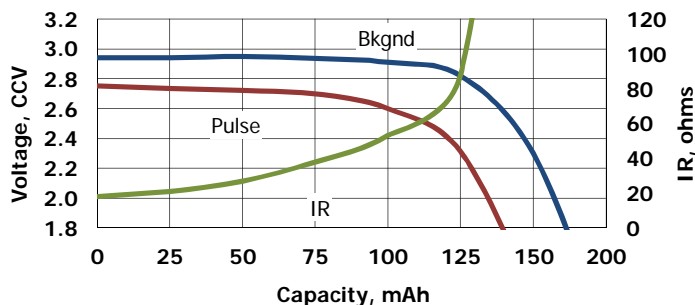


## Internal Resistance Characteristics

Pulse Test at 21°C (70°F)

**Bkgnd Drain:** Continuous  
15K ohms  
0.193 mA @ 2.9V

**Pulse Drain:** 2 seconds X 12 times/day  
400 ohms  
6.8 mA @ 2.7V



## Important Notice

This datasheet contains typical information specific to products manufactured at the time of its publication.  
©Energizer Holdings, Inc. - Contents herein do not constitute a warranty.