

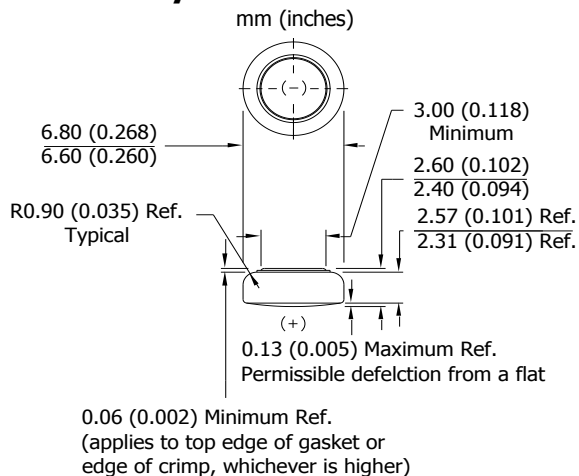
ENERGIZER 377/376

ZEROMERCURY

SILVER OXIDE



Industry Standard Dimensions



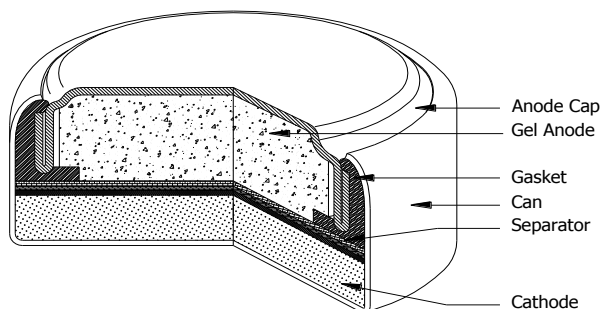
DESIGNED FOR USE ON CONTINUOUS LOW DRAIN
HIGH PULSE ON DEMAND

Specifications

| | |
|---------------------------|--|
| Chemical System: | Silver Oxide (Zn/Ag ₂ O) |
| Designation: | ANSI/NEDA-1176SO, IEC-SR66 |
| Nominal Voltage: | 1.55 Volts |
| Typical Capacity: | 24 mAh* (to 1.2 volts) |
| Capacity Test: | 47K ohm continuous drain at 21°C |
| Typical Weight: | 0.42 grams (0.015 oz.) |
| Typical Volume: | 0.09 cubic centimeters (0.0063 cubic inch) |
| Impedance (40 Hz): | 15 to 30 ohms |

* Varies according to the applied load, temperature, and cutoff voltage.

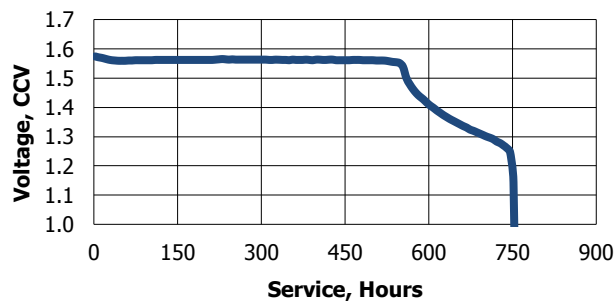
Cross Section



Typical Discharge Characteristics

Typical Performance at 21°C (70°F)

Schedule: Continuous
Typical Drain @1.52V:
0.032 milliamperes
Load: 47K ohm

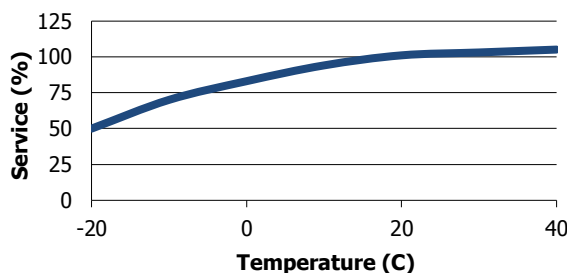


| <u>Schedule</u> | <u>Typical Drains</u> at 1.52V (milliamperes) | <u>Load</u> (ohm) | <u>Cutoff</u> 1.2V (hours) |
|-----------------|---|----------------------|----------------------------------|
| Continuous | 0.032 | 47K | 742 |

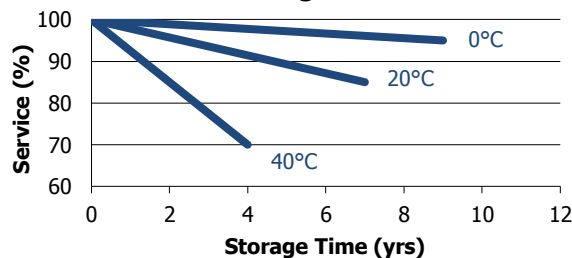
Temperature Characteristics

Typical Performance at Low Discharge Rates

Service Effects



Storage Effects



Important Notice

This datasheet contains typical information specific to products manufactured at the time of its publication.
©Energizer Holdings, Inc. - Contents herein do not constitute a warranty.