

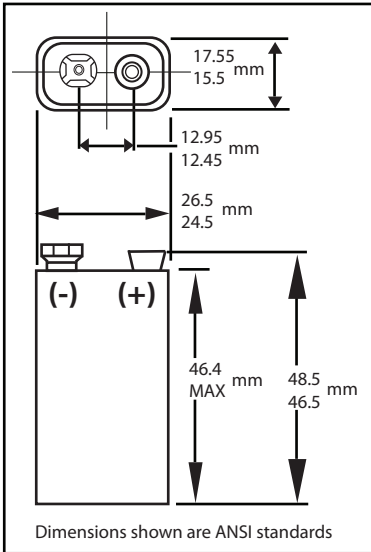


DL1604

Size: 9V

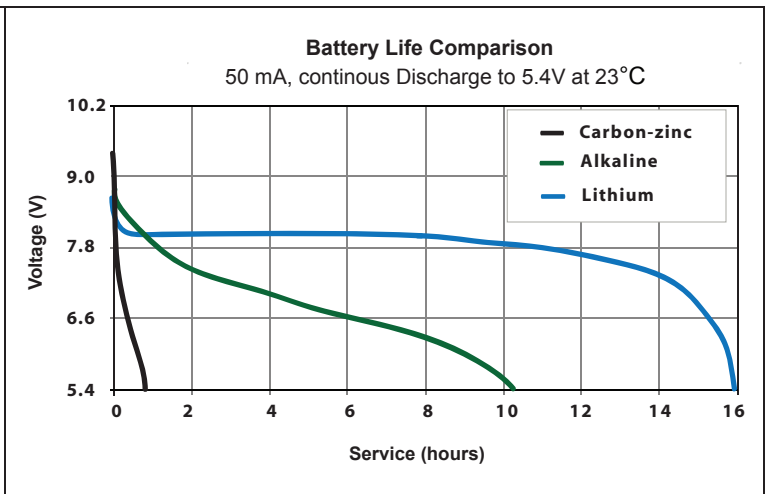
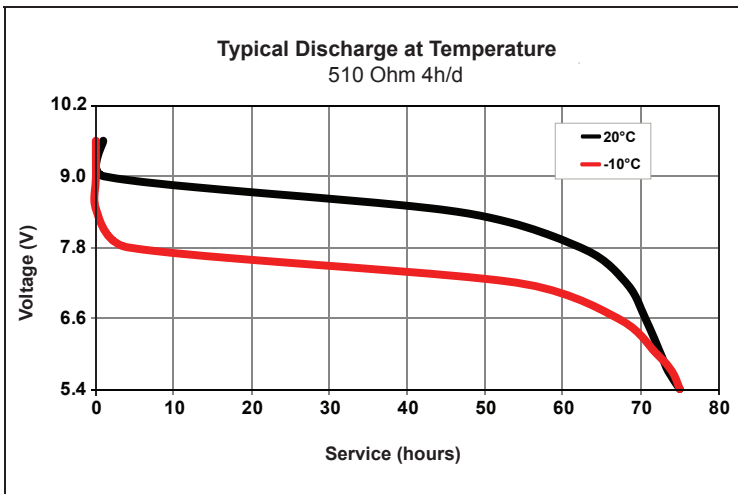
Lithium Manganese Dioxide Battery

LiMnO₂



Specifications

Classification:	Lithium 9V
Chemical System:	Lithium Manganese Dioxide
Designation:	ANSI-1604LC
Nominal Voltage:	9V
Operating Voltage:	9.6V-4.8V
Operating Temp:	-40°C to 60°C (-40°F to 140°F)
Storage Temp:	5°C to 30°C (41°F to 86°F) RH 40%-80%
Typical Weight:	34 g
Typical Volume:	22.8 cubic centimeters (1.4 cubic inch)
Typical Impedance:	775mΩ @ 20kHz
Typical IR Content:	1.35 g (0.048 oz.)
Safety Features:	Positive Temperature Coefficient Switch (PTC) Burst proof venting holes
Freshness Guarantee:	Up to 10 years at 20°C
Transportation:	For complete details, please see reference: Global (except US) Special Provision A45 of the International Air Transport Association Dangerous Goods Regulations
	United States 49 CFR 173.185



DURACELL®
BATTERIES

Berkshire Corporate Park
Bethel, CT 06801 U.S.A.
Telephone: Toll free 1.800.544.5454
Internet: www.duracell.com

***Delivered capacity is dependent on the applied load, intermittent usage, operating temperature and cut off voltage. Please refer to the charts and discharge data for examples of energy/service life that the battery will provide for various conditions.**

Information and contents in this data sheet are for reference purposes only. They do not constitute any warranty and representation is subject to change without notice. For most current information and further details, please contact Duracell.