

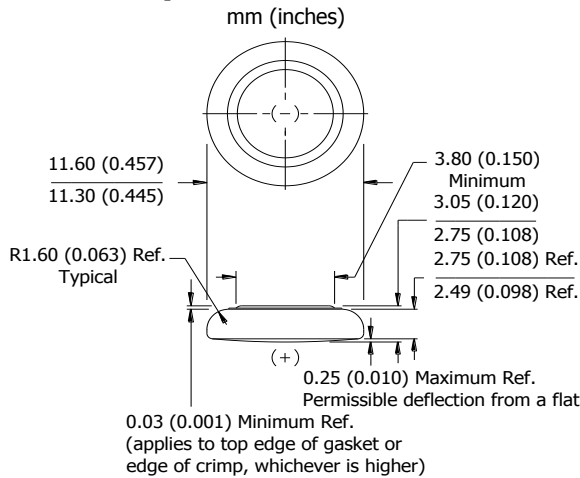
ENERGIZER 390/389

**ZEROMERCURY**

**SILVER OXIDE**



**Industry Standard Dimensions**



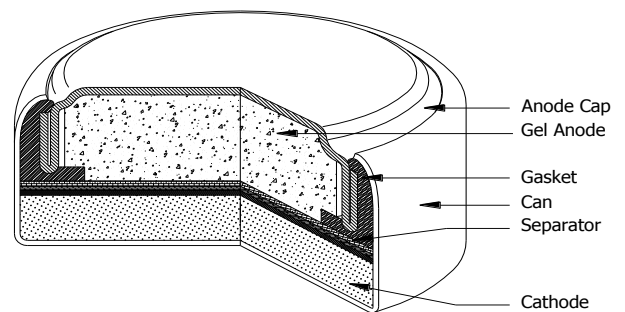
DESIGNED FOR USE ON CONTINUOUS LOW DRAIN  
(HIGH PULSE ON DEMAND)

**Specifications**

|                           |                                           |
|---------------------------|-------------------------------------------|
| <b>Chemical System:</b>   | Silver Oxide (Zn/Ag <sub>2</sub> O)       |
| <b>Designation:</b>       | ANSI-1138SO, IEC-SR54                     |
| <b>Nominal Voltage:</b>   | 1.55 Volts                                |
| <b>Typical Capacity:</b>  | 90 mAh* (to 1.2 volts)                    |
| <b>Capacity Test:</b>     | 15K ohm continuous drain at 21°C          |
| <b>Typical Weight:</b>    | 1.35 grams (0.048 oz.)                    |
| <b>Typical Volume:</b>    | 0.32 cubic centimeters (0.019 cubic inch) |
| <b>Impedance (40 Hz):</b> | 10 to 20 ohms                             |

\* Varies according to the applied load, temperature, and cutoff voltage.

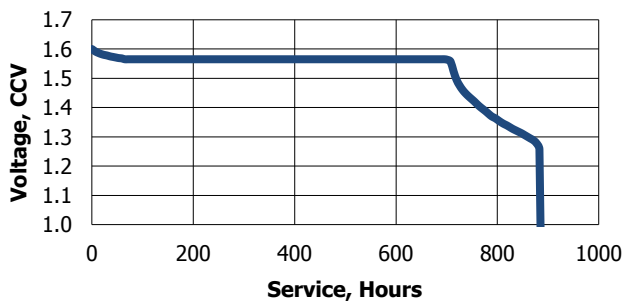
**Cross Section**



**Typical Discharge Characteristics**

Typical Performance at 21°C (70°F)

**Schedule:** Continuous  
**Typical Drain @1.52V:**  
0.102 milliamperes  
**Load:** 15K ohm

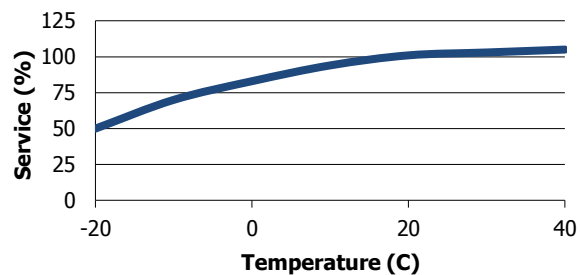


| <u>Schedule</u> | <u>Typical Drains</u><br>at 1.52V<br>(milliamperes) | <u>Load</u><br>(ohm) | <u>Cutoff</u><br>(hours) |
|-----------------|-----------------------------------------------------|----------------------|--------------------------|
| Continuous      | 0.102                                               | 15K                  | 883                      |

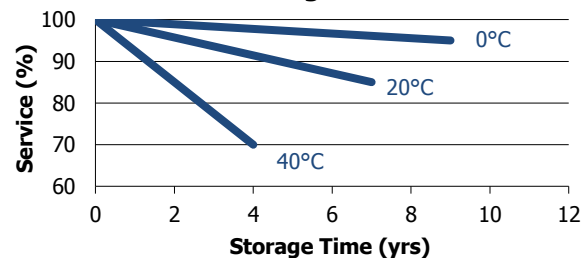
**Temperature Characteristics**

Typical Performance at Low Discharge Rates

**Service Effects**



**Storage Effects**



**Important Notice**

This datasheet contains typical information specific to products manufactured at the time of its publication.  
©Energizer Holdings, Inc. - Contents herein do not constitute a warranty.